

easywash365+ wall and ceiling booms

High pressure ceiling boom including high pressure hose for walls and ceiling



- » Assembly at walls or ceiling
- » High pressure hose including, DN 8, black
- » Ceiling boom swivelling by 360°, 180° in case of wall assembly
- » Ball bearing swivel
- » Total length of up to 2,500 mm
- » Max. 275 bar / 120 °C
- » Connection: 3/8" M
- » Material: stainless steel

easywash365+ wall and ceiling booms

Stainless steel. Boom with ball bearing swivel and high pressure hose. DN 8. Maintenance-free. Max. 275 bar / 120 °C

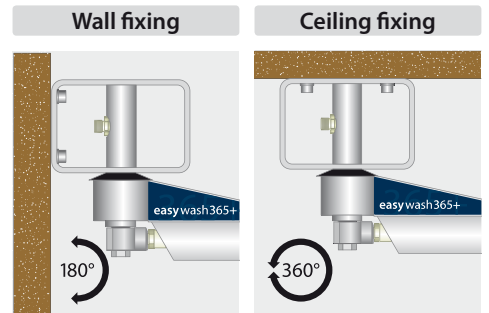
R+M Nr.	↔	⊕	⊖
109 766 970	1,600 mm	3/8" M	3/8" M
109 766 971	2,000 mm	3/8" M	3/8" M
109 766 973	2,500 mm	3/8" M	3/8" M



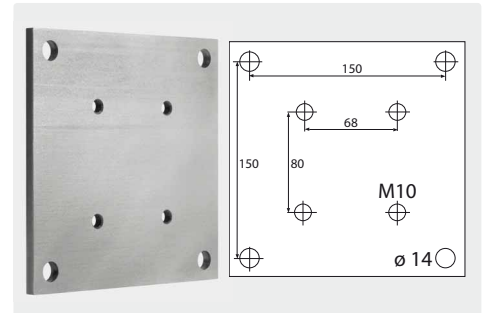
Tip: 3/8" M connection for high pressure hose with o-ring

Replacement hoses

R+M Nr.	↔
355 144 001 758 4	1,600 mm
355 144 002 198 4	2,000 mm
355 144 002 648 4	2,500 mm

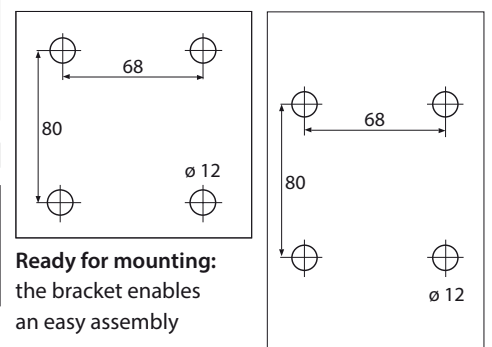


easywash365+ mounting plate



For walls and ceiling. Stainless steel. 180 x 180 mm. Thickness: 8 mm. 4 x M10

R+M Nr.
109 790 461 4



Ready for mounting: the bracket enables an easy assembly