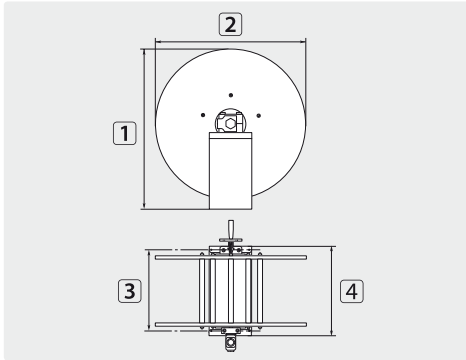


High pressure hose reels ST-71

- » The base frame is made out of stainless steel V2A / AISI 304 and stands for highest stability.
- » Equipped with an especially wide orifice of 12 mm.
- » Suitable media: water or water with cleaning chemicals, air, oils and grease.
- » The drum hub consists of 5 sturdy stainless steel rods and runs in specially maintenance-free bearing sleeves.
- » The drum rotates by means of an adjustable handwheel being equipped with a free-wheel polyamide grip.
- » A mechanical brake makes it possible to lock in 6 positions.
- » This high pressure hose reel is equipped with the swivel ST-322.
- » The Suttner swivels ST-322 are completely made out of stainless steel and have a slide-ring sealing element.
- » Not suitable for being mounted at walls and ceiling.



TYP	outer \varnothing = hose \leftrightarrow
01	22.0 mm = 40 m

Stainless steel V2A / AISI 304

R+M Nr.	Ⓢ	Ⓣ	DN	P	$^{\circ}\text{C}$	Ⓢ	1	2	3	4	TYP
200 071 705	1/2" F	1/2" F	12	300 bar	90 °C	13 kg	460 mm	440 mm	240 mm	290 mm	01

Accessories for ST-71

Swivels ST-322



1/2" F : 1/2" M. DN 12.
Max. 300 bar / 30 r.p.m.
/ 90 °C



Repair kit swivel ST-322

R+M Nr.	Ⓢ	R+M Nr.
200 322 520	67 mm	200 322 490

ST-71 hose reels with sewer cleaning hose assembly

The ST-71 hose reel is equipped with a 15 m Flexy sewer cleaning hose DN 6. The frame of the reel is made out of stainless steel and the reel is made out of plastics.

The space-saving and orderly solution can either be hung up at the wall or refitted in high pressure cleaner.

The hose can be used as extension of high pressure hoses or as sewer cleaning hose.

Max. 300 bar / 90 °C

R+M Nr.	Ⓢ	Ⓣ
200 071 615	1/4" M	M22 M
200 071 620	1/8" M	M22 M
200 071 625	M22 F	M22 M
200 071 626	Quick screw coupling M22 F swivel	M22 M
200 071 630	plug \varnothing 8.8	M22 M



Symbols Ⓢ inlet Ⓣ outlet DN nominal diameter P pressure Ⓢ height \leftrightarrow length Ⓢ weight $^{\circ}\text{C}$ temperature TYP type \varnothing diameter