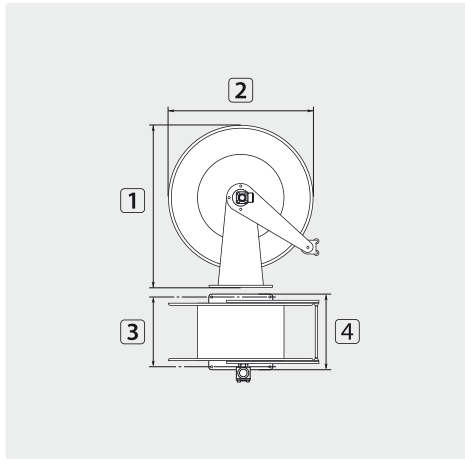


Automatic hose reels

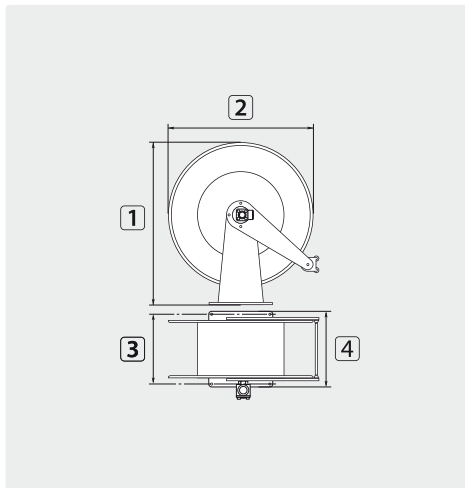
R+M 544



TYP	outer \varnothing = hose \leftrightarrow
03	22.0 mm = 30 m
03	28.0 mm = 22 m
03	34.0 mm = 17 m

R+M Nr.	★	Ⓒ	Ⓔ	DN	P	°C	Ⓢ	1	2	3	4	TYP
763 544 30	■	1/2" F	1/2" F	12	300 bar	90 °C	24.0 kg	573 mm	510 mm	218 mm	300 mm	03
763 544 20	■	1" F	1" F	19	100 bar	90 °C	24.0 kg	573 mm	510 mm	218 mm	300 mm	03

R+M 564



TYP	outer \varnothing = hose \leftrightarrow
04	22.0 mm = 60 m
04	30.0 mm = 40 m
04	35.0 mm = 30 m

R+M Nr.	★	Ⓒ	Ⓔ	DN	P	°C	Ⓢ	1	2	3	4	TYP
763 564 30	▼	1/2" F	1/2" F	10	300 bar	90 °C	30.0 kg	578 mm	510 mm	399 mm	488 mm	04

Symbols ★ marking Ⓒ inlet Ⓔ outlet DN nominal diameter P pressure \leftrightarrow length Ⓢ weight TYP type °C temperature 1 height