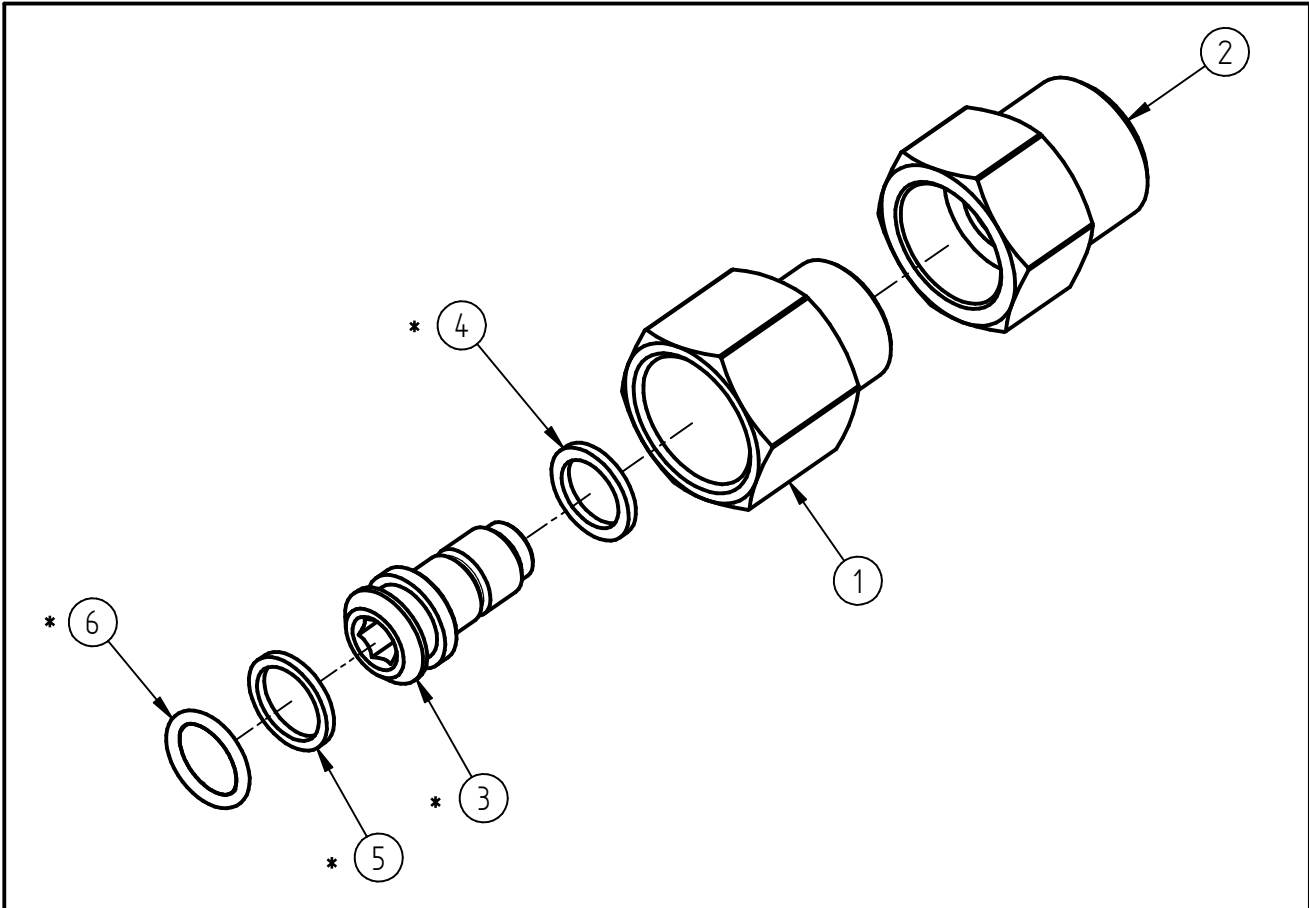


Spare Parts  
Swivel ST-310  
Item-No. 20 0310 040



Pos.	Item-No.	Description
1	04 0001 890	Swivel G1/2 female
2	04 0001 870	Connection part G1/2 male
3	04 0000 520	Connection part G1/4 female
4	05 0000 411	Back ring
5	05 0000 409	Back ring
6	05 0000 305	O-ring

## Repair-Kits

Pos.	Item-No.	Description	Pos.	Item-No.	Description
*	20 0300 100	Repair-Kit			