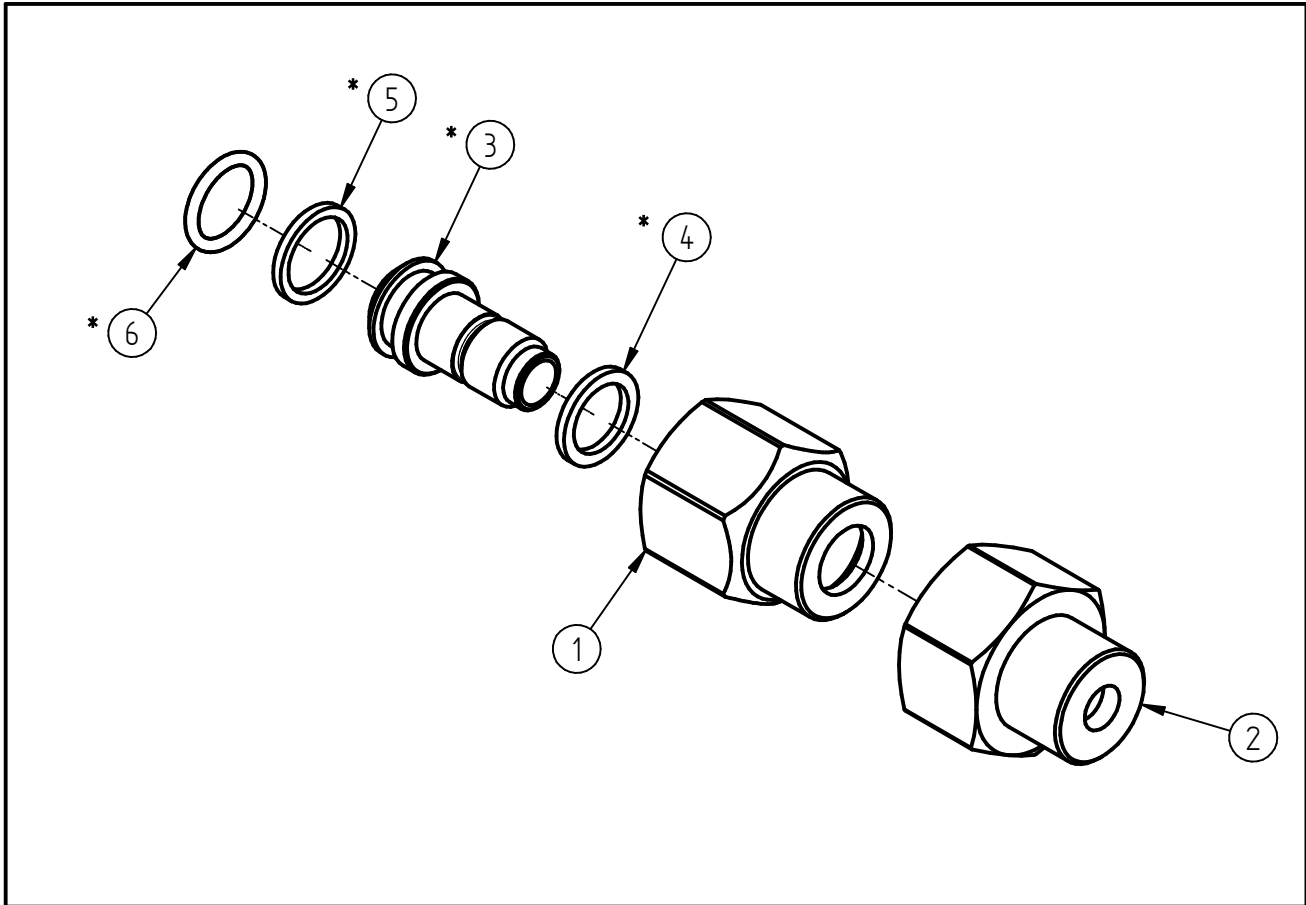


Spare Parts  
**Swivel ST-300**  
 Item-No. 20 0300 010



Pos.	Item-No.	Description
1	04 0001 880	Inlet nut G3/8 stainless steel
2	01 0001 430	Adapter Part G3/8 male
3	04 0000 520	Connection part G1/4 female
4	05 0000 411	Back ring
5	05 0000 409	Back ring
6	05 0000 305	O-ring

### Repair-Kits

Pos.	Item-No.	Description	Pos.	Item-No.	Description
*	20 0300 100	Repair-Kit			