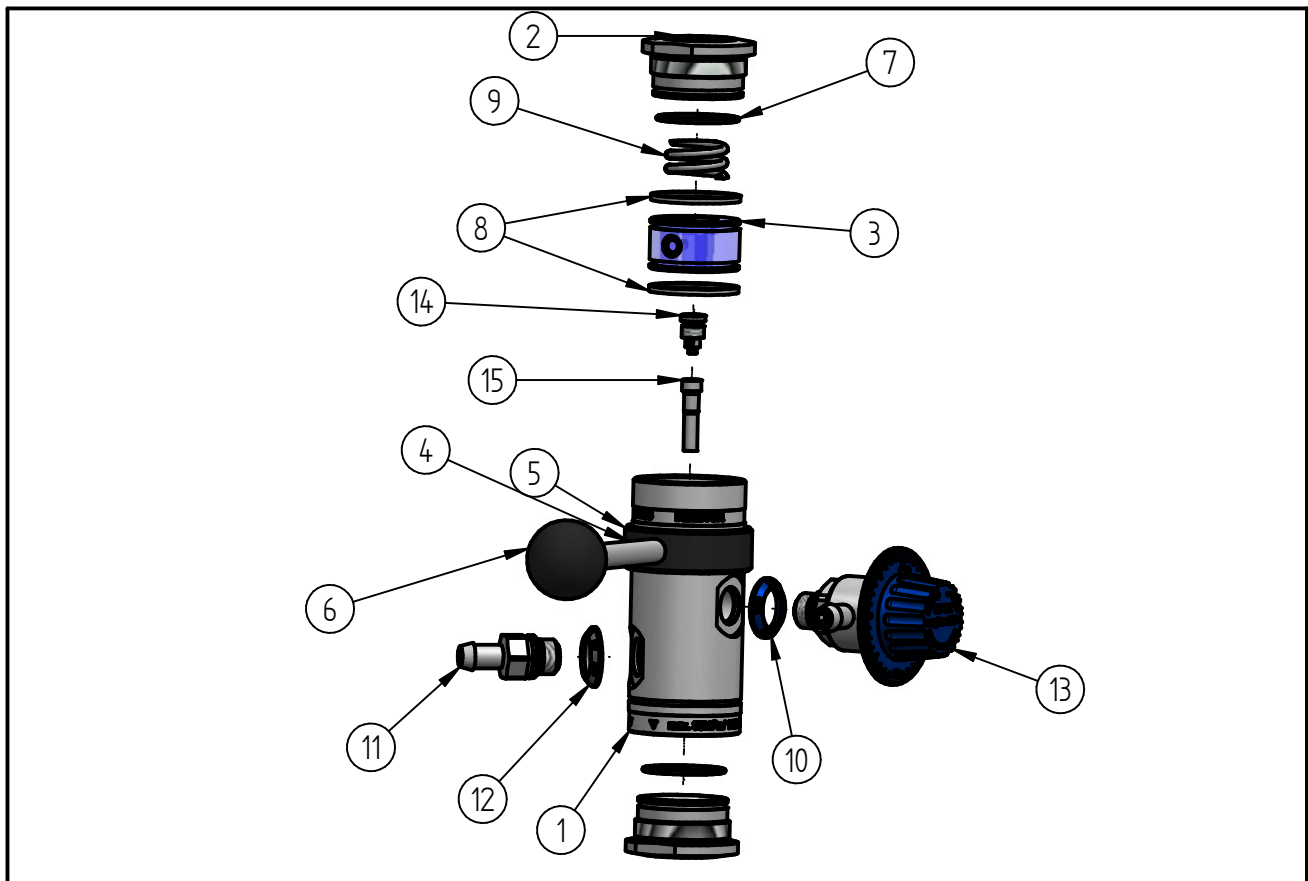


## Spare Parts

### Injector ST-168 with air pressure part and metering valve ST-161

Item- No.	Injector nozzle (Pos. 14)	Opposed nozzle (Pos. 15)
20 0168 600	04 0003 642 (Φ1,2mm)	04 0003 515 (Φ2,8mm)
20 0168 601	04 0003 643 (Φ1,3mm)	04 0003 515 (Φ2,8mm)
20 0168 602	04 0003 644 (Φ1,4mm)	04 0003 515 (Φ2,8mm)
20 0168 603	04 0003 645 (Φ1,5mm)	04 0003 515 (Φ2,8mm)
20 0168 604	04 0003 646 (Φ1,6mm)	04 0003 515 (Φ2,8mm)
20 0168 605	04 0003 647 (Φ1,7mm)	04 0003 515 (Φ2,8mm)
20 0168 606	04 0003 648 (Φ1,8mm)	04 0003 515 (Φ2,8mm)
20 0168 607	04 0003 649 (Φ1,9mm)	04 0003 515 (Φ2,8mm)
20 0168 608	04 0003 650 (Φ2,0mm)	04 0003 515 (Φ2,8mm)
20 0168 609	04 0003 651 (Φ2,1mm)	04 0003 515 (Φ2,8mm)
20 0168 610	04 0003 652 (Φ2,2mm)	04 0003 515 (Φ2,8mm)
20 0168 611	04 0003 653 (Φ2,3mm)	04 0003 515 (Φ2,8mm)
20 0168 612	04 0003 654 (Φ2,4mm)	04 0003 515 (Φ2,8mm)

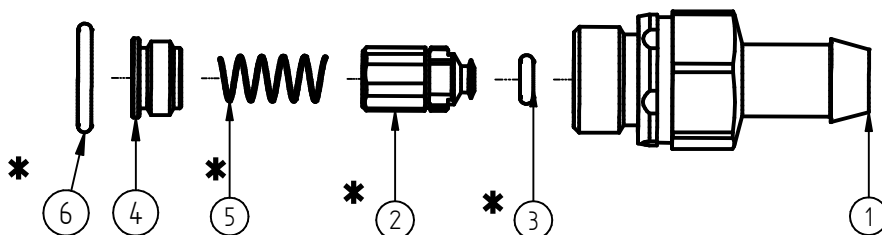
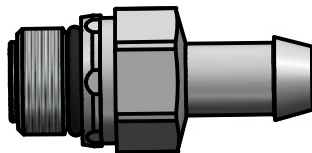


Pos.	Item-No.	Description	Pos.	Item-No.	Description
1	04 0003 605	Housing ST-168	8	05 0002 450	Seal ring
2	04 0003 615	Inlet nut ST-168	9	06 0002 090	Pressure spring ST-168
3	02 0005 092	Locating disc	10	02 0005 100	Cover blue
4	04 0003 635	Trigger ST-168	11	20 0163 350	Check valve
5	02 0005 093	Protection ring	12	02 0005 108	Cover grey
6	02 0005 115	Ball handle	13	20 0161 500	Metering valve ST-161
7	05 0002 330	O-Ring 27x1,5			

Spare Parts

Injector ST-168 with air pressure part and metering valve ST-161

20 0163 350 Check valve (Pos. 11)



Pos.	Item number	Description	Amount
1	04 0003 550	Hose clip	1
2	04 0003 555	Check valve piston	1
3	05 0000 260	O-ring 2,9x1,78 EPDM 70Shore	1
4	04 0003 558	Screw plug	1
5	06 0001 100	Spring	1
6	05 0000 301	O-ring 10.82 x 1.78	1

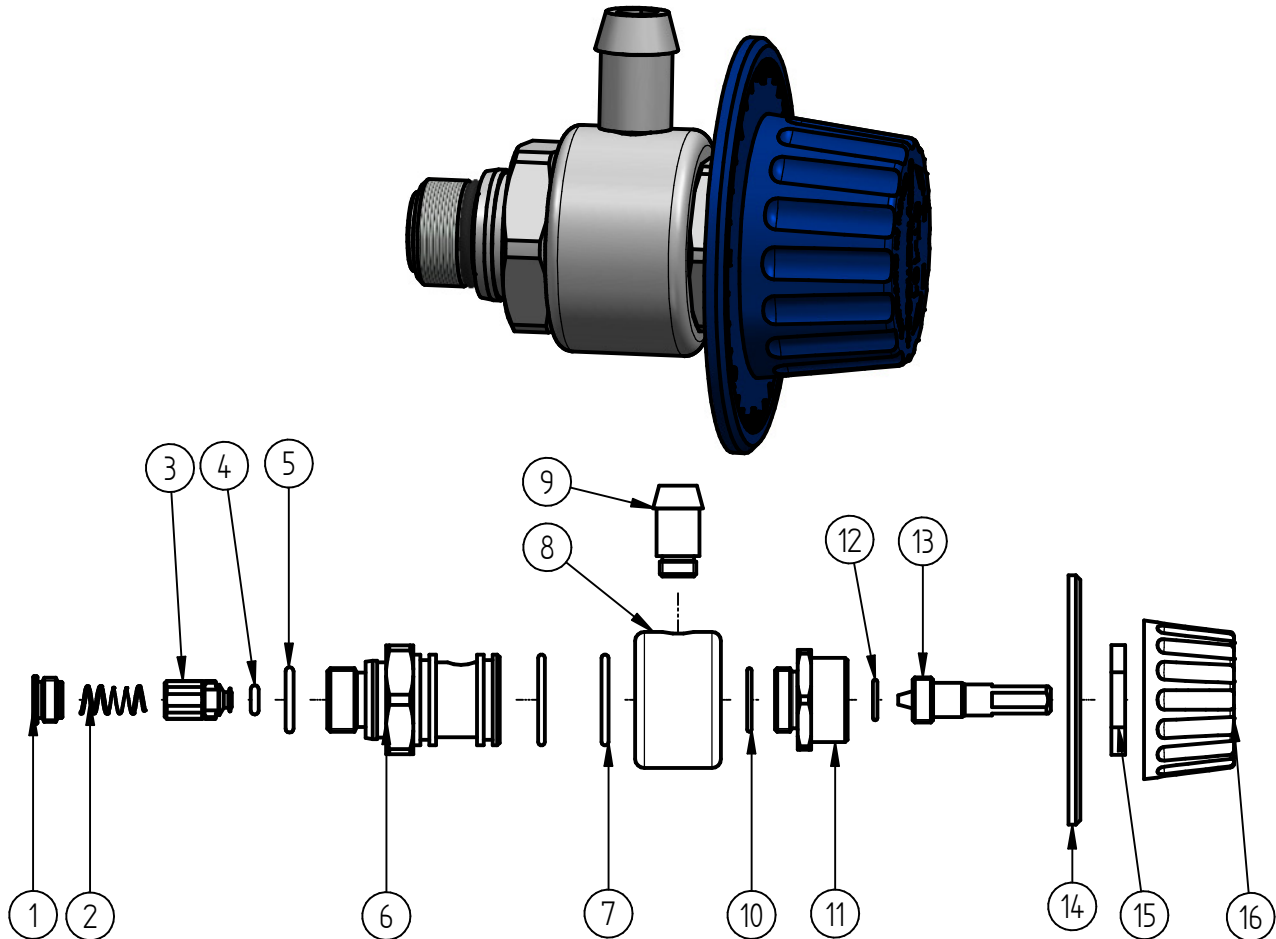
## Repair-Kits

Pos.	Item-No.	Description	Pos.	Item-No.	Description
*	20 0163 493	Repair- kit Check valve			

## Spare Parts

# Injector ST-168 with air pressure part and metering valve ST-161

### 20 0161 500 Metering valve (Pos. 13)



Pos.	Item-No.	Description	Pos.	Item-No.	Description
1	04 0003 558	Screw plug	9	04 0003 564	Nozzle ST-161
2	06 0001 100	Spring	10	05 0000 440	o-ring
3	04 0003 555	Check valve piston	11	04 0003 603	Coupling nut ST-161
4	05 0000 265	O-ring 2,9x1,78	12	05 0000 360	O-Ring 7x1
5	05 0000 301	O-ring 10.82 x 1.78	13	04 0003 602	Piston ST-161
6	04 0003 598	Hose clip	14	02 0001 678	Plastic display
7	05 0000 565	O- ring 17x1,5 EPDM	15	04 0000 200	Nut
8	04 0003 563	Supporting ring	16	02 0001 657	Adjustment button

## Repair-Kits

Pos.	Item-No.	Description	Pos.	Item-No.	Description
.					