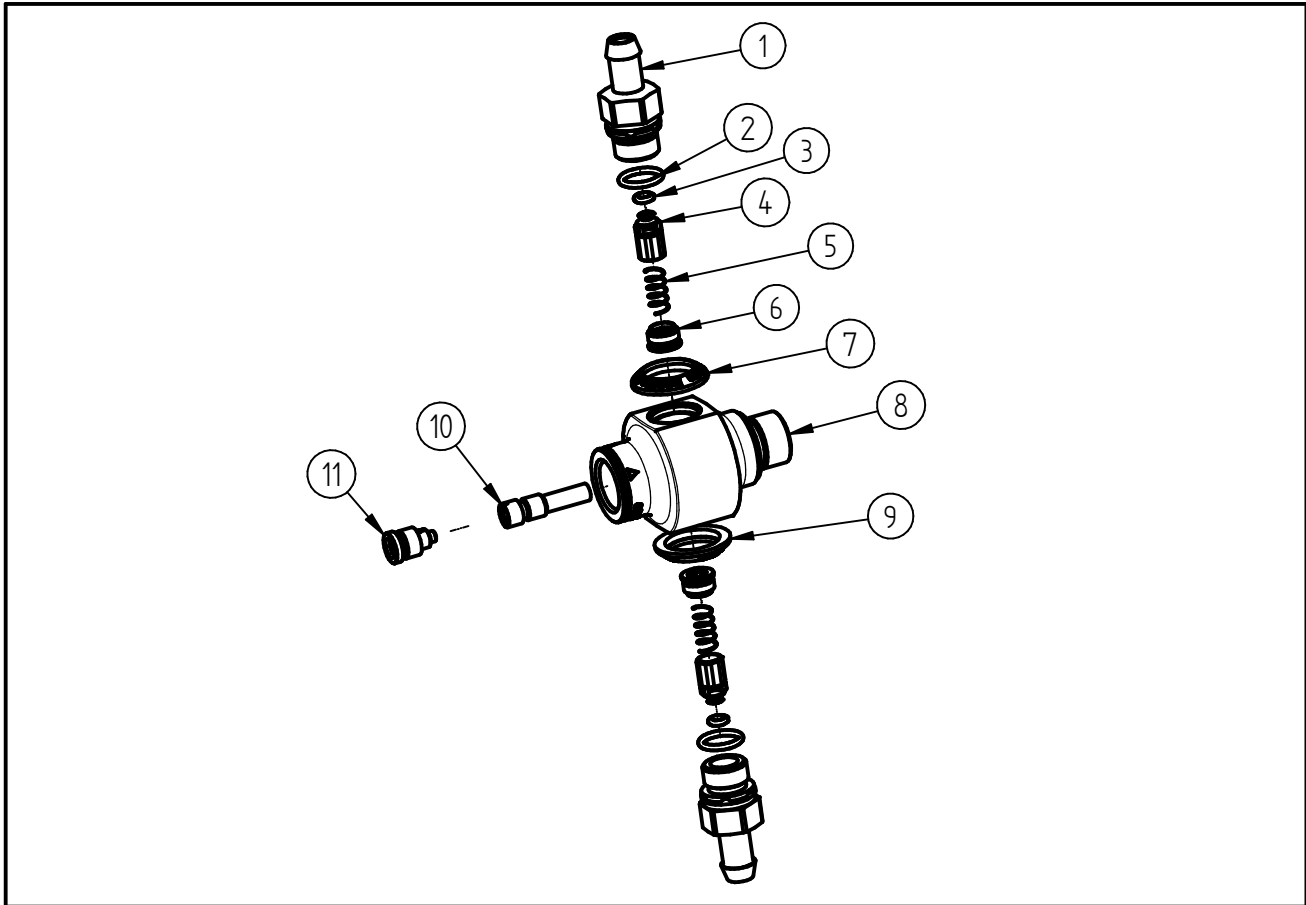


Spare Parts

**Double Injector ST-166**

Item-No. 20 0166 500



Pos.	Item-No.	Description
1	04 0003 550	Hose clip
2	05 0000 301	O-ring 10,82 x 1,78
3	05 0000 265	O-ring 2,9x1,78
4	04 0003 555	Check valve piston
5	06 0001 100	Spring
6	04 0003 558	Screw plug
7	02 0005 105	cover yellow
8	04 0003 585	Housing ST-166
9	02 0005 100	cover blue
10	04 0003 517	Nozzle
11	04 0003 643	injector nozzle 1,3mm

**Repair-Kits**

Pos.	Item-No.	Description	Pos.	Item-No.	Description
.					