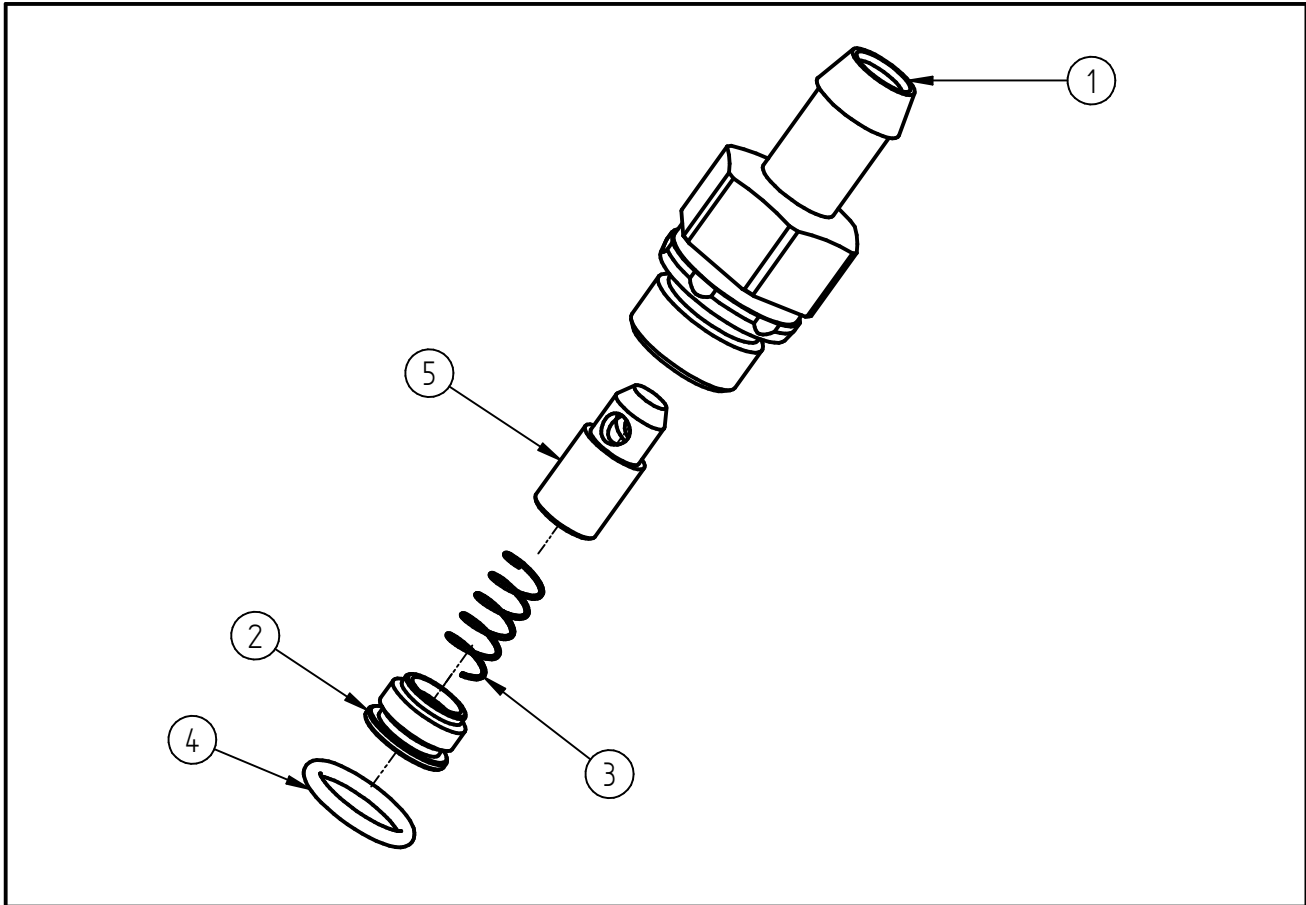


Spare Parts
Check valve ST-163
 Item-No. 20 0163 360



Pos.	Item-No.	Description
1	04 0003 556	Hose clip
2	04 0003 558	Screw plug
3	06 0001 100	Spring
4	05 0000 301	O-ring 10.82 x 1.78
5	02 0003 556	Check valve piston

Repair-Kits

Pos.	Item-No.	Description	Pos.	Item-No.	Description
.					