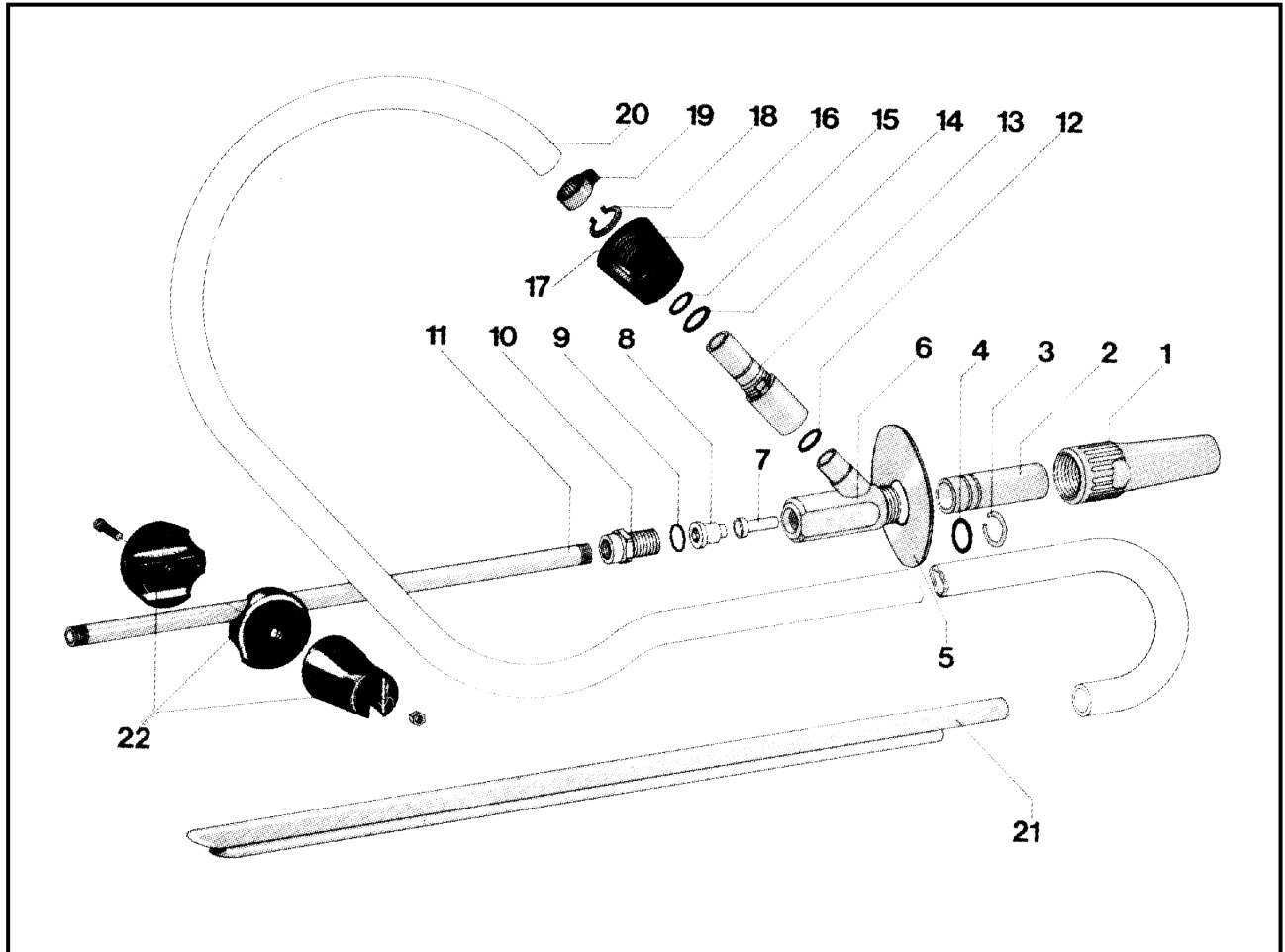


Spare Parts

Sandblasting injector ST - 55

Item-No. 20 0055 614/615/616



Pos.	Item-No.	Description	Pos.	Item-No.	Description
* 1	20 0055 520	Nozzle retainer	12	05 0000 570	O-ring 17x2
*° 2	12 0001 110	Steel sand nozzle (optional)	+ 13	20 0055 511	Adjustment pipe
*° 3	05 0000 450	Lock ring (optional)	+ 14	05 0000 580	O-ring 18x2
*° 4	05 0000 560	O-ring 17x1,5 (optional)	+ 15	05 0000 590	O-ring 15x2
5	02 0001 055	Splash guard	+ 16	02 0000 120	Adjustment knob
6	01 0000 890	Mixing head	+ 17	01 0000 520	Brass insert
7	04 0000 625	Insert	+ 18	05 0000 600	Lock ring
8.1	20 0055 040	Water nozzle 0.04	19	13 0000 411	Hose clamp
8.2	20 0055 050	Water nozzle 0.05	20	08 0000 146	PVC-hose 12x3 (mm) x 4 (m)
8.3	20 0055 060	Water nozzle 0.06	21	04 0000 540	Suction pipe
8.4	20 0055 080	Water nozzle 0.08	22	20 0055 480	Hose clamp, complete
9	05 0000 550	O-ring 14x2,5	*	20 0055 495	Repair-kit sand nozzle
10	01 0000 790	Inlet nut	+	20 0055 515	Adjustment kit
11	07 0000 030	Lance 500mm	°	20 0055 540	Sand nozzle, compl. (optional)