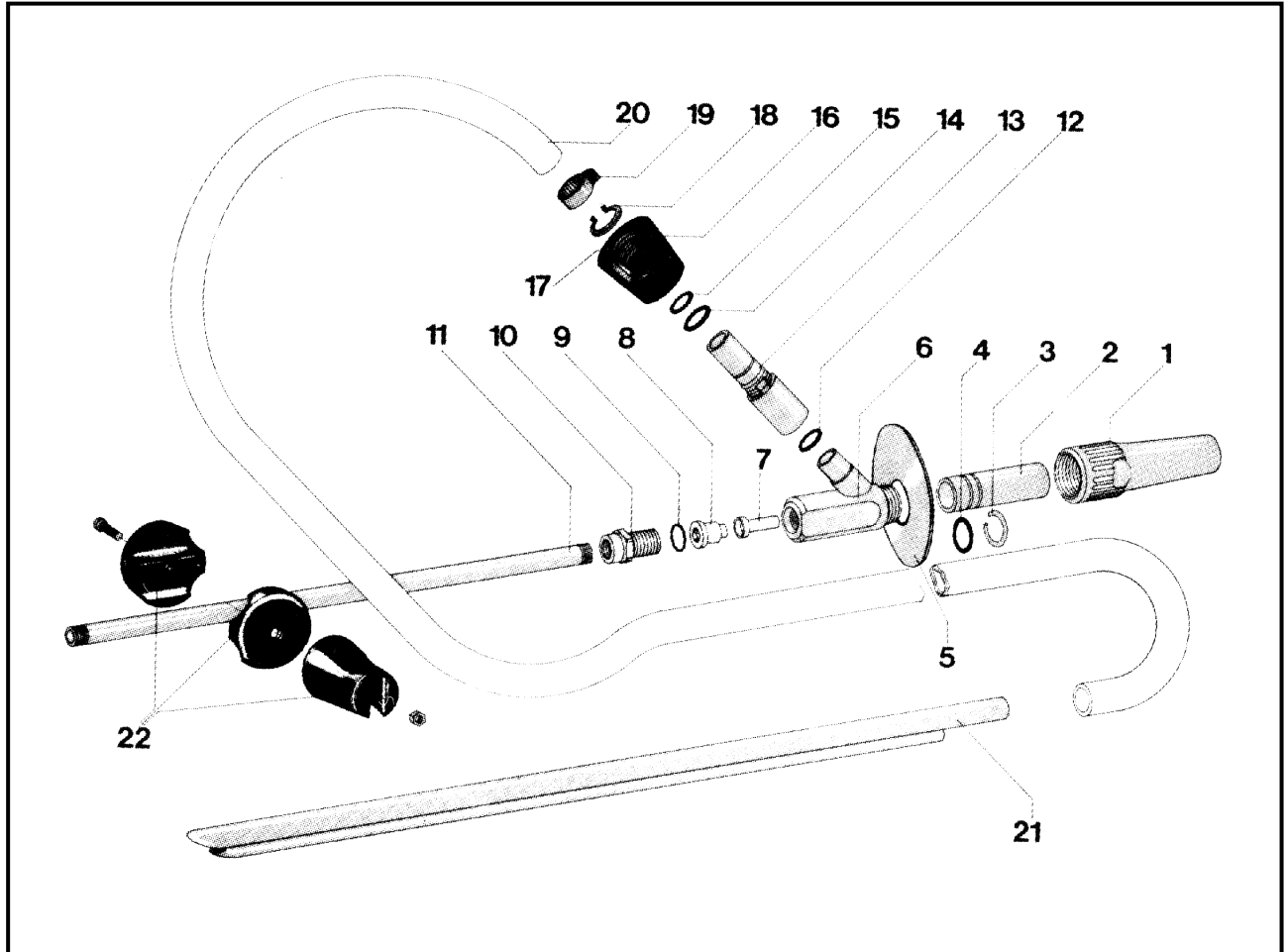


Spare Parts

Sandblasting injector ST - 55

Item-No. 20 0055 614/615/616



Pos.	Item-No.	Description
* 1	20 0055 520	Nozzle retainer
*° 2	12 0001 110	Steel sand nozzle (optional)
*° 3	05 0000 450	Lock ring (optional)
*° 4	05 0000 560	O-ring 17x1,5 (optional)
5	02 0001 055	Splash guard
6	01 0000 890	Mixing head
7	04 0000 625	Insert
8.1	20 0055 040	Water nozzle 0.04
8.2	20 0055 050	Water nozzle 0.05
8.3	20 0055 060	Water nozzle 0.06
8.4	20 0055 080	Water nozzle 0.08
9	05 0000 550	O-ring 14x2,5
10	01 0000 790	Inlet nut
11	07 0000 030	Lance 500mm

Pos.	Item-No.	Description
12	05 0000 570	O-ring 17x2
+ 13	20 0055 511	Adjustment pipe
+ 14	05 0000 580	O-ring 18x2
+ 15	05 0000 590	O-ring 15x2
+ 16	02 0000 120	Adjustment knob
+ 17	01 0000 520	Brass insert
+ 18	05 0000 600	Lock ring
19	13 0000 411	Hose clamp
20	08 0000 146	PVC-hose 12x3 (mm) x 4 (m)
21	04 0000 540	Suction pipe
22	20 0055 480	Hose clamp, complete
*	20 0055 495	Repair-kit sand nozzle
+	20 0055 515	Adjustment kit
°	20 0055 540	Sand nozzle, compl. (optional)