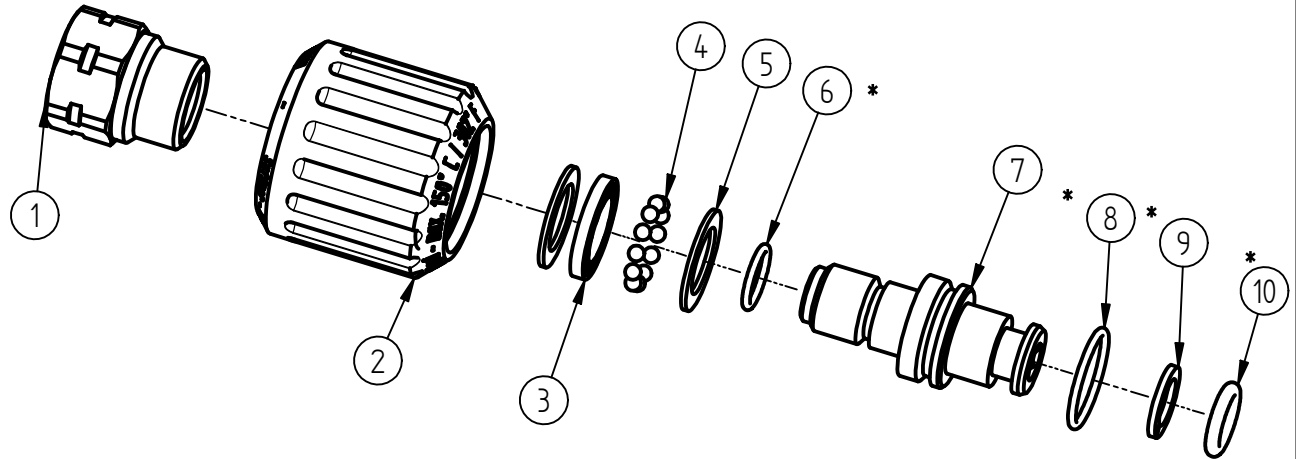


Spare Parts

Swivel coupling ST - 44

Item-No. 20 0044 520



Pos.	Item-No.	Description
1	01 0002 610	Inlet - nut 3/8" NPT female
2	01 0004 500	Hand wheel M22x1,5 female
3	02 0003 370	Roller holder
4	06 0000 900	Stainless steel ball
5	04 0001 720	Pressure washer
6	05 0001 520	O-Ring 10x1,5 NBR 70 Shore
7	04 0001 710	Connection nipple G1/4 male
8	05 0000 560	O-Ring 17x1,5 NBR 70 Shore
9	05 0001 510	Back ring
10	05 0000 650	O-Ring 9,19x2,62 EPDM 70Shore

Repair-Kits

Pos.	Item-No.	Description	Pos.	Item-No.	Description
*	20 0044 480	Repair- Kit			