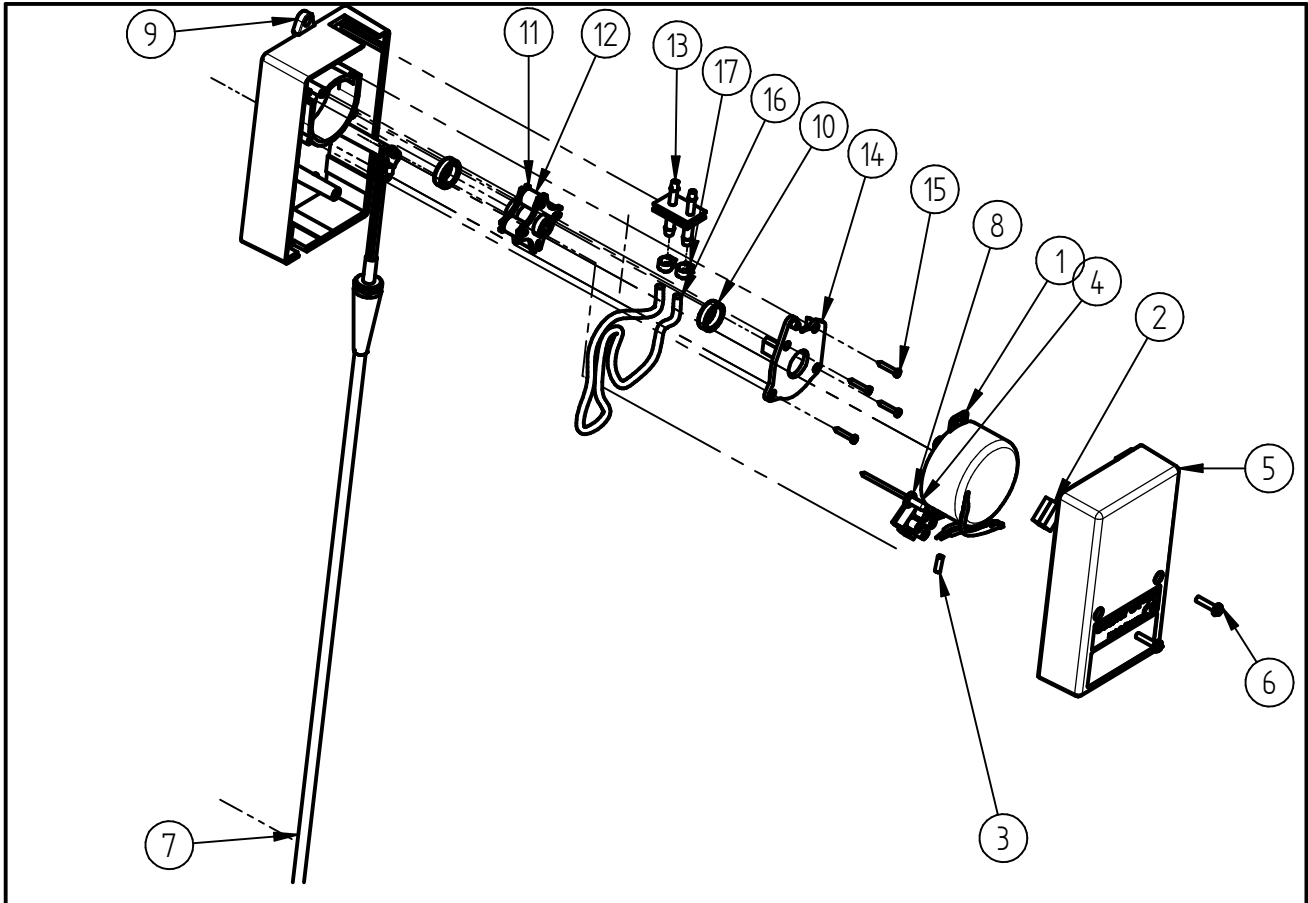


## Spare Parts

# Chemical pump ST-15, 230V AC, 140ml

Item-No. 20 0015 535



Pos.	Item-No.	Description	Pos.	Item-No.	Description
1	18 1030 006	Engine 230 V AC 10RPM richt syn.	13	18 2950 002	Double hose connection
2	18 2950 006	Damping part	14	18 2950 001	Anchor plate
3	18 2935 002	Tappet	15	04 0000 300	Screw
4	18 2530 002	Terminal strip	16	08 0000 006	Silicone hose
5	18 2920 001	Housing top part ST-15	17	04 0000 535	
6	04 0000 635	Screw			
7	20 0015 546	Access cabel			
8	09 0000 090	Grounding rivet A 4.0x9.5 Al/St			
9	18 2910 001	Housing bottom part ST-15			
10	18 2935 003	Bush			
11	18 2950 003	Star ST-15			
12	18 2935 001	Roller			

## Repair-Kits

Pos.	Item-No.	Description	Pos.	Item-No.	Description