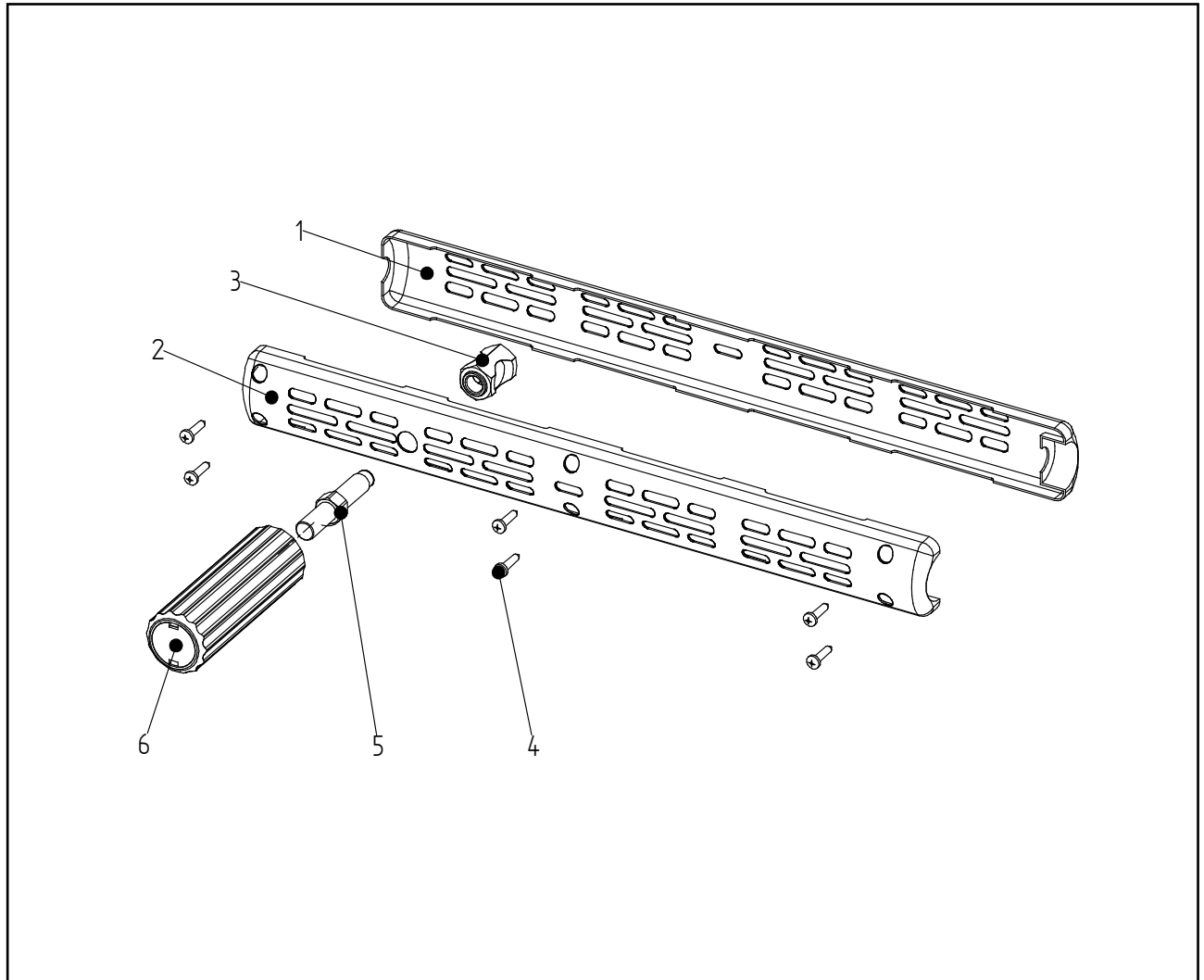


Spare Parts
Vented grip for lances ST 9
Item-No. 20 0009 520



Pos.	Item-No.	Description
1	02 0002 610	Semi casing
2	02 0002 615	Semi casing
3	01 0003 660	Pipe seat

Pos.	Item-No.	Description
4	04 0000 050	Screw
5	01 0000 160	Locking screw
6	20 0009 690	Handle