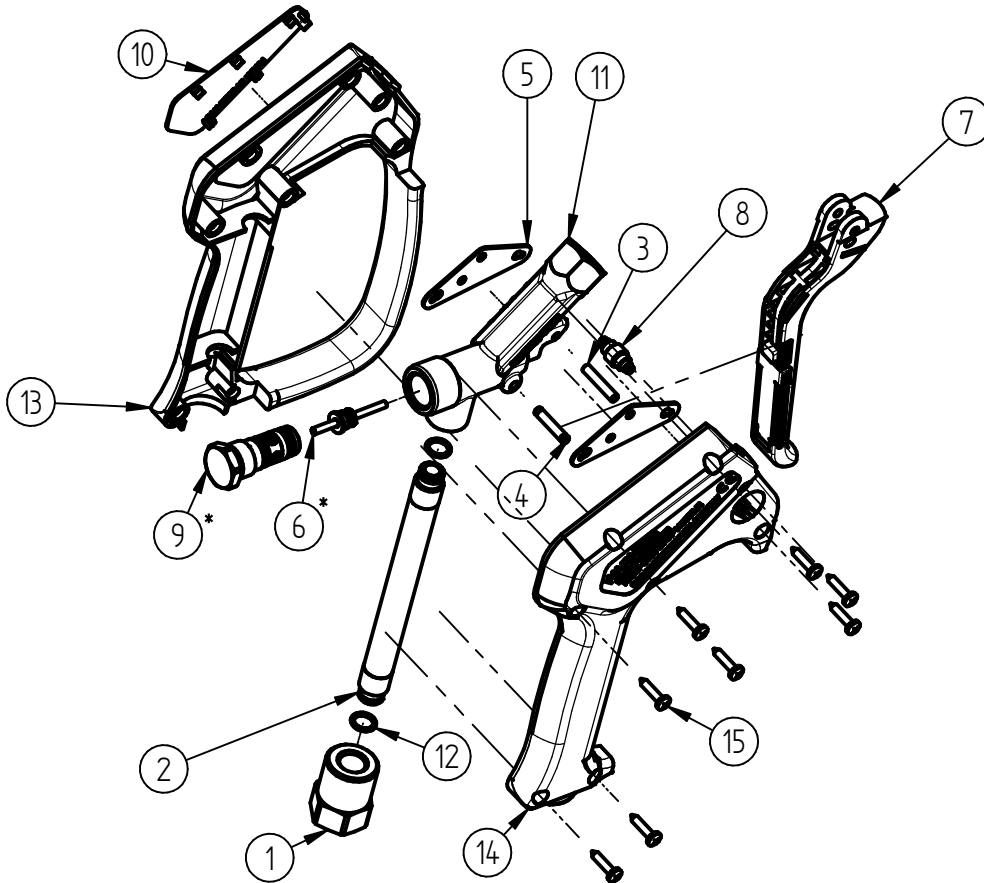


## Spare Parts

# High Pressure Spray Gun ST-2750 50 MPa

Item-No. 20 2750 500



Pos.	Item-No.	Description	Pos.	Item-No.	Description
1	04 0001 037	Inlet Nut	15	04 0000 051	Screw 3.5x16
2	07 0001 092	Inlet Pipe			
3	04 0007 081	Axle for trigger			
4	04 0007 060	Pin			
5	04 0007 059	Support plate			
6	20 2750 405	Piston Rod			
7	20 2600 440	Trigger complete			
8	20 2600 400	Pressure roller complete			
9	20 2750 450	Valve complete ST-2750			
10	02 0009 055	Label ST-2750			
11	04 0001 057	Housing			
12	05 0000 035	O-ring 8,5x1,5			
13	02 0008 615	Plastic housing with handle			
14	02 0008 620	Plastic housing			

## Repair-Kits

Pos.	Item-No.	Description	Pos.	Item-No.	Description
*	20 2750 495	Repair Kit ST-2750 Valve			