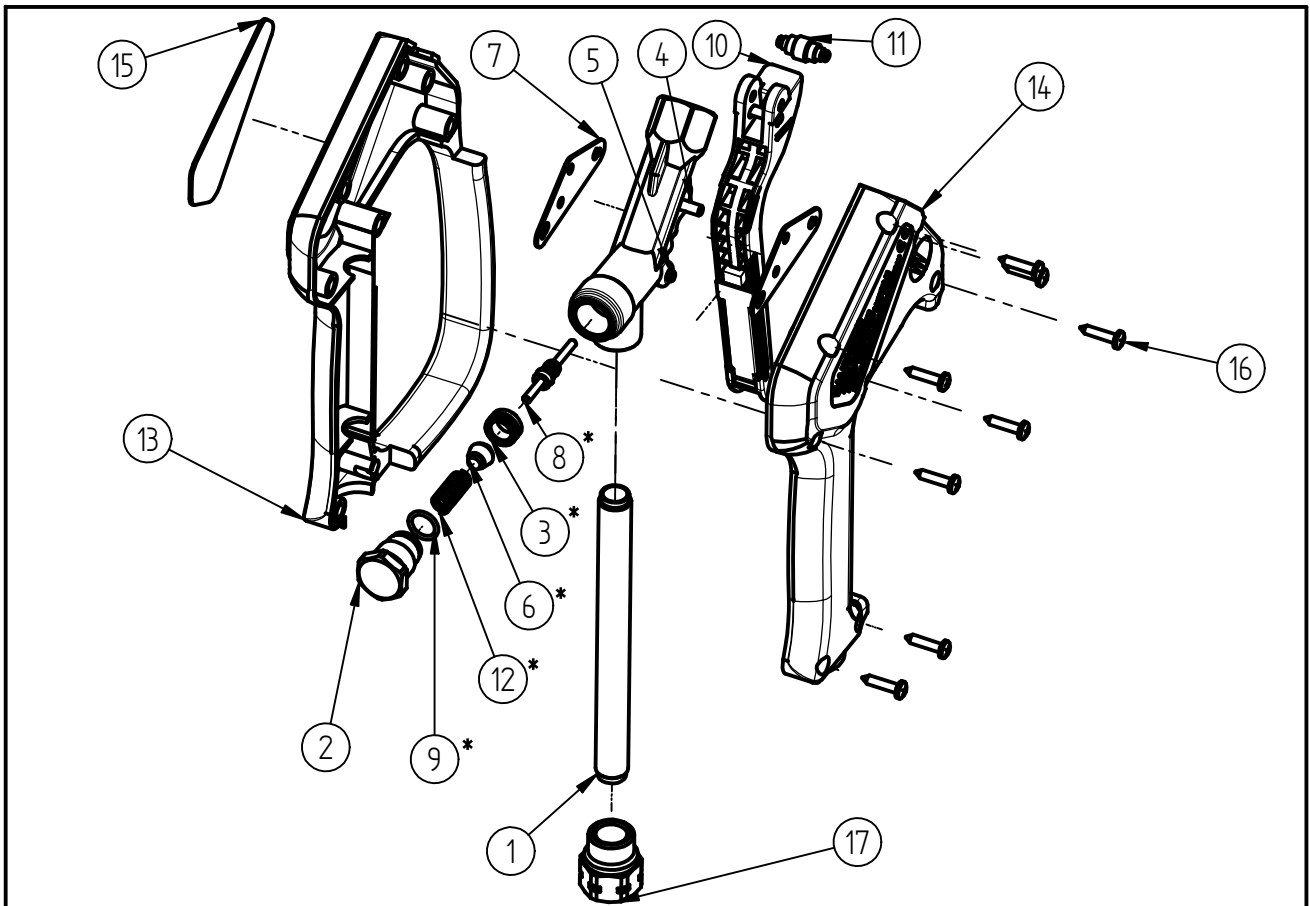


Spare Part

High Pressure Spray Gun ST - 2620

Item-No. 20 2620 510



Pos.	Item-No.	Description	Pos.	Item-No.	Description
1	07 0001 397	Pipe inlet	15	02 0009 155	Label
2	01 0007 345	Screw plug	16	04 0000 051	Screw 3,5x16
3	20 2710 480	Valve seat complete	17	01 0002 610	Inlet - nut 3/8" NPT female
4	04 0007 080	Axle for trigger			
5	04 0007 060	Pin			
6	02 0000 450	Valve cone			
7	04 0007 058	Support plate			
8	20 2300 380	Piston rod complete			
9	05 0001 521	o-ring 10x1,5			
10	20 2600 410	Trigger complete			
11	20 2600 400	Pressure roller complete			
12	06 0002 055	Spring			
13	02 0008 641	Plastic housing with handle, red			
14	02 0008 646	Plastic housing, red			

Repair-Kits

Pos.	Item-No.	Description	Pos.	Item-No.	Description
*	20 2710 490	Repairkit ST-2710			