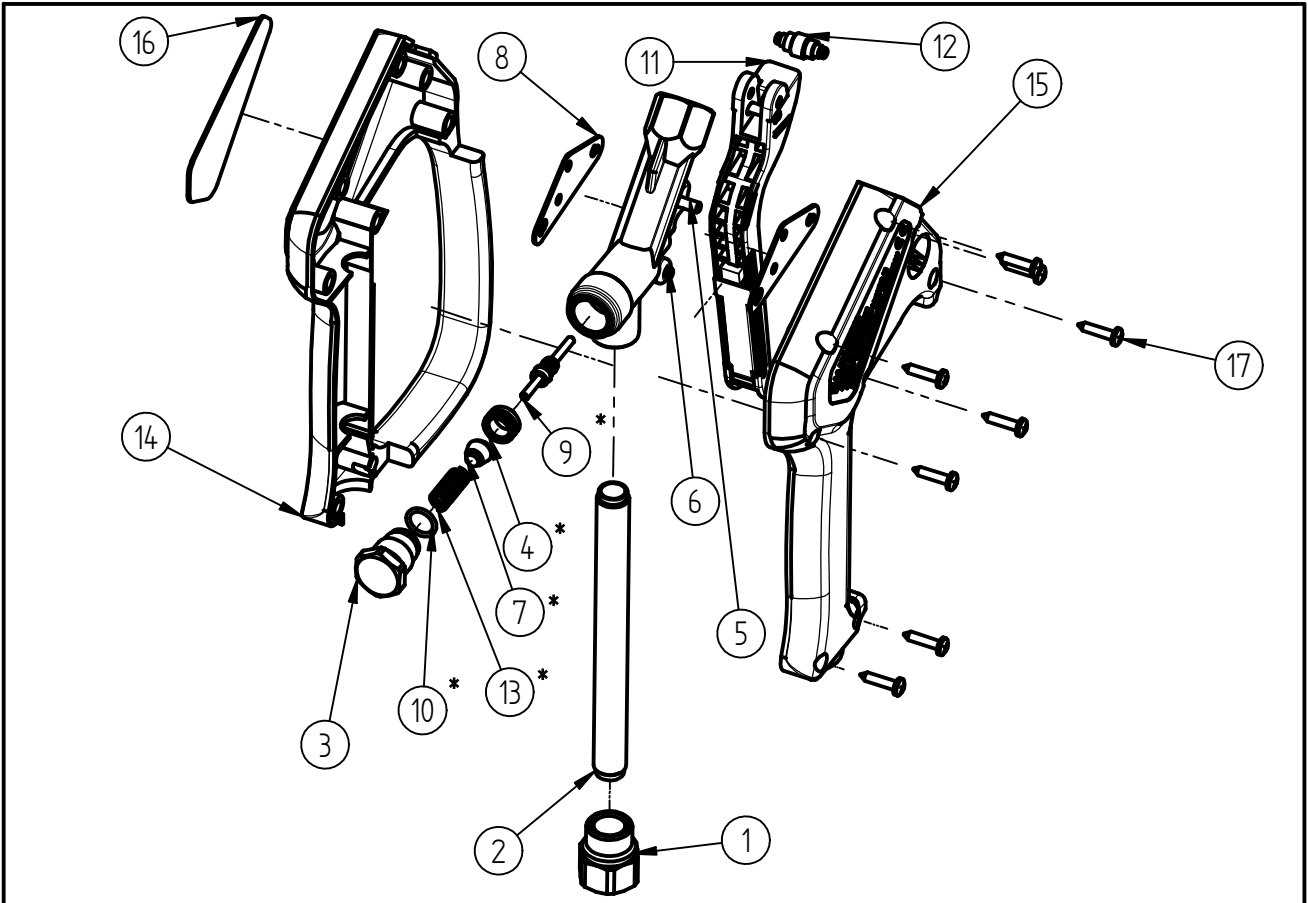


Spare Part

High Pressure Spray Gun ST - 2620

Item-No. 20 2620 500



Pos.	Item-No.	Description	Pos.	Item-No.	Description
1	01 0002 600	Inlet- nut G3/8 female	15	02 0008 646	Plastic housing, red
2	07 0001 397	Pipe inlet	16	02 0009 155	Label
3	01 0007 345	Screw plug	17	04 0000 051	Screw 3,5x16
4	20 2710 480	Valve seat complete			
5	04 0007 080	Axle for trigger			
6	04 0007 060	Pin			
7	02 0000 450	Valve cone			
8	04 0007 058	Support plate			
9	20 2300 380	Piston rod complete			
10	05 0001 521	o-ring 10x1,5			
11	20 2600 410	Trigger complete			
12	20 2600 400	Pressure roller complete			
13	06 0002 055	Spring			
14	02 0008 641	Plastic housing with handle, red			

Repair-Kits

Pos.	Item-No.	Description	Pos.	Item-No.	Description
*	20 2710 490	Repairkit ST-2710			