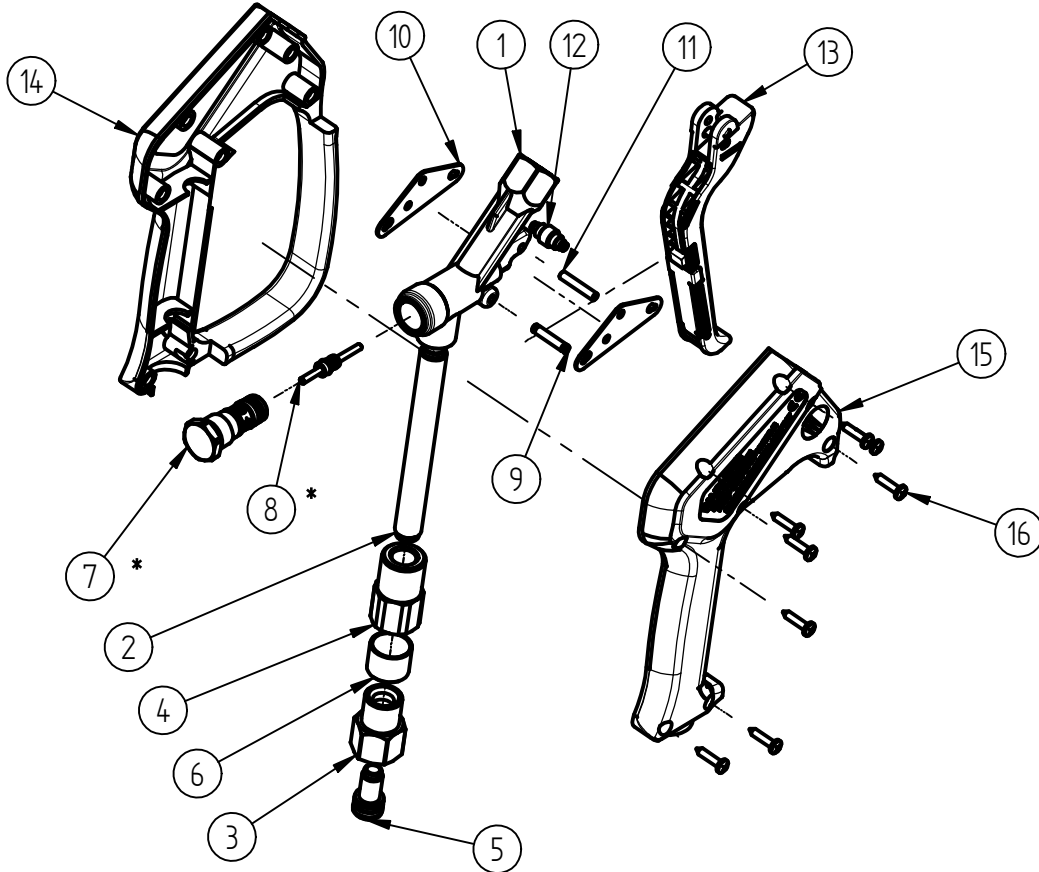


## Spare Parts

# High Pressure Spray Gun ST - 2600

Item-No. 20 2600 557



Pos.	Item-No.	Description	Pos.	Item-No.	Description
1	01 0007 342	Housing G1/4 female	15	02 0008 620	Plastic housing
2	07 0001 157	Pipe inlet	16	04 0000 051	Screw 3,5x16
3	04 0001 805	Inlet nut G3/8			
4	01 0001 420	Connection Part			
5	20 0300 100	Repair-Kit Swivel			
6	02 0008 610	slide bearing			
7	20 2300 455	Valve TM ST-2300/2600			
8	20 2300 380	Piston rod complete			
9	04 0007 060	Pin			
10	04 0007 058	Support plate			
11	04 0007 080	Axle for trigger			
12	20 2600 400	Pressure roller complete			
13	20 2600 410	Trigger complete			
14	02 0008 615	Plastic housing with handle			

## Repair-Kits

Pos.	Item-No.	Description	Pos.	Item-No.	Description
*	20 2300 490	Repair-Kit			