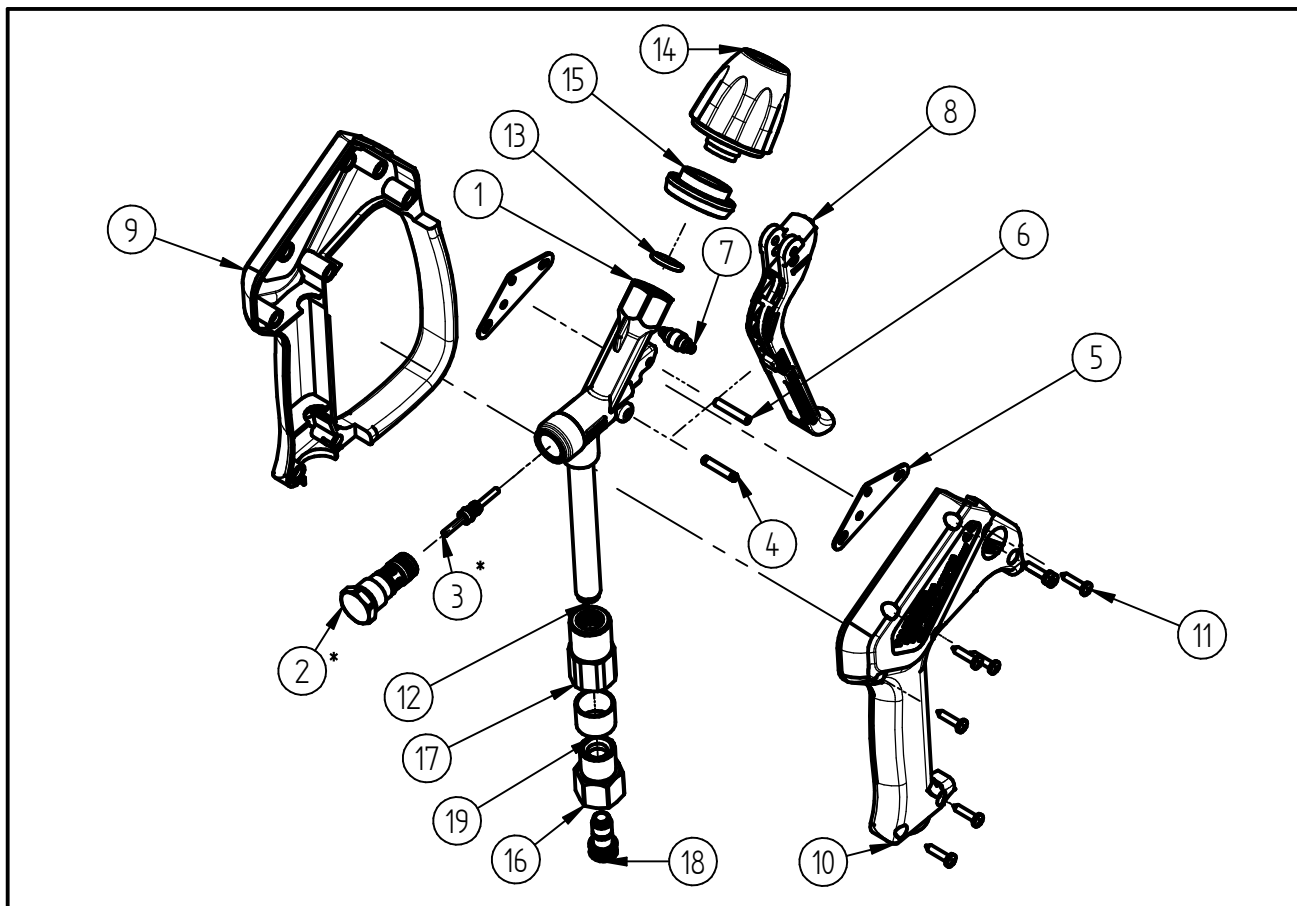


## Spare Part

# High Pressure Spray Gun ST - 2600

Item-No. 20 2600 549



Pos.	Item-No.	Description	Pos.	Item-No.	Description
1	01 0007 332	Housing ST-2300 ST-2600 Q2008	15	02 0003 650	Adaptor
2	20 2300 455	Valve TM ST-2300/2600	16	04 0001 805	Inlet nut G3/8
3	20 2300 380	Piston rod complete	17	01 0001 420	Connection Part
4	04 0007 060	Pin	18	20 0300 100	Repair-Kit Swivel ST-300
5	04 0007 058	Support plate	19	02 0008 610	Slide bearing
6	04 0007 081	Axle for trigger			
7	20 2600 400	Pressure roller complete			
8	20 2600 410	Trigger complete			
9	02 0008 615	Plastic housing with handle			
10	02 0008 620	Plastic housing			
11	04 0000 051	Screw 3,5x16			
12	07 0001 157	Pipe inlet			
13	05 0000 248	O-Ring 11,91x2,62 HNBR 90Sh			
14	20 2300 300	Coupling complete			

## Repair-Kits

Pos.	Item-No.	Description	Pos.	Item-No.	Description
*	20 2300 490	Repair-Kit ST-2300/2600			