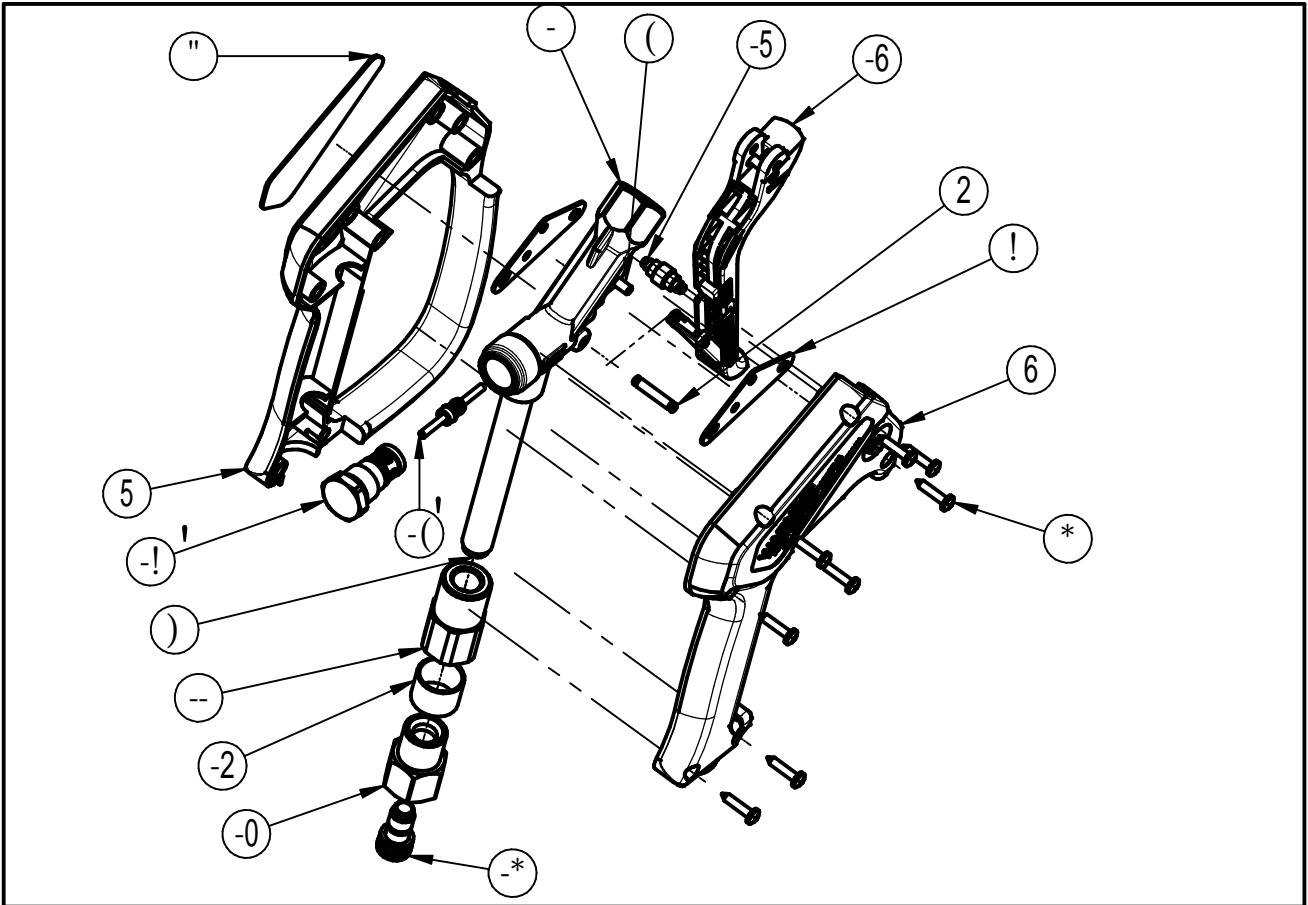


Spare Parts

High Pressure Spray Gun ST-2600

Item-No 20 2600 5!"



Pos	Item-No	. es, ription	Pos	Item-No	. es, ription
-	0- 000* !(2	Housing ST-2100/2600 G-/(Oema%	- (20 2!00 !"0	Piston rod , omp%te
2	0(000* 060	Pin	-5	20 2600 (00	Pressure ro%er , omp%te
!	0(000* 05)	Support p%ate	-6	20 2600 (-6	Trigger , omp%
(0(000* 0"-	#1% Obr trigger	-*	20 0!00 -00	Repair-Kit S2i7e%ST-!00
5	02 000" 6*0	P%asti, housing 2ith hand%			
6	02 000" 6"0	P%asti, housing darS 3%e			
*	0(0000 05-	S, re2 !51-6			
"	02 000) -00	4a3e%easy 2ash			
)	0* 000- -5*	Pipe in%t			
-0	0(000- "05	In%t nut G!/"			
--	0- 000- (20	5onne, tion Part			
-2	02 000" 6-0	S%ide 3earing			
-!	20 2!00 (5"	6a%e Oree8e prote, tion			

Repair-Kits

Pos	#rtiSe%nummer	&enennung	Pos	#rtiSe%nummer	&enennung
'	20 2!00 (*)	Repair-Kit +rost pote, tion			