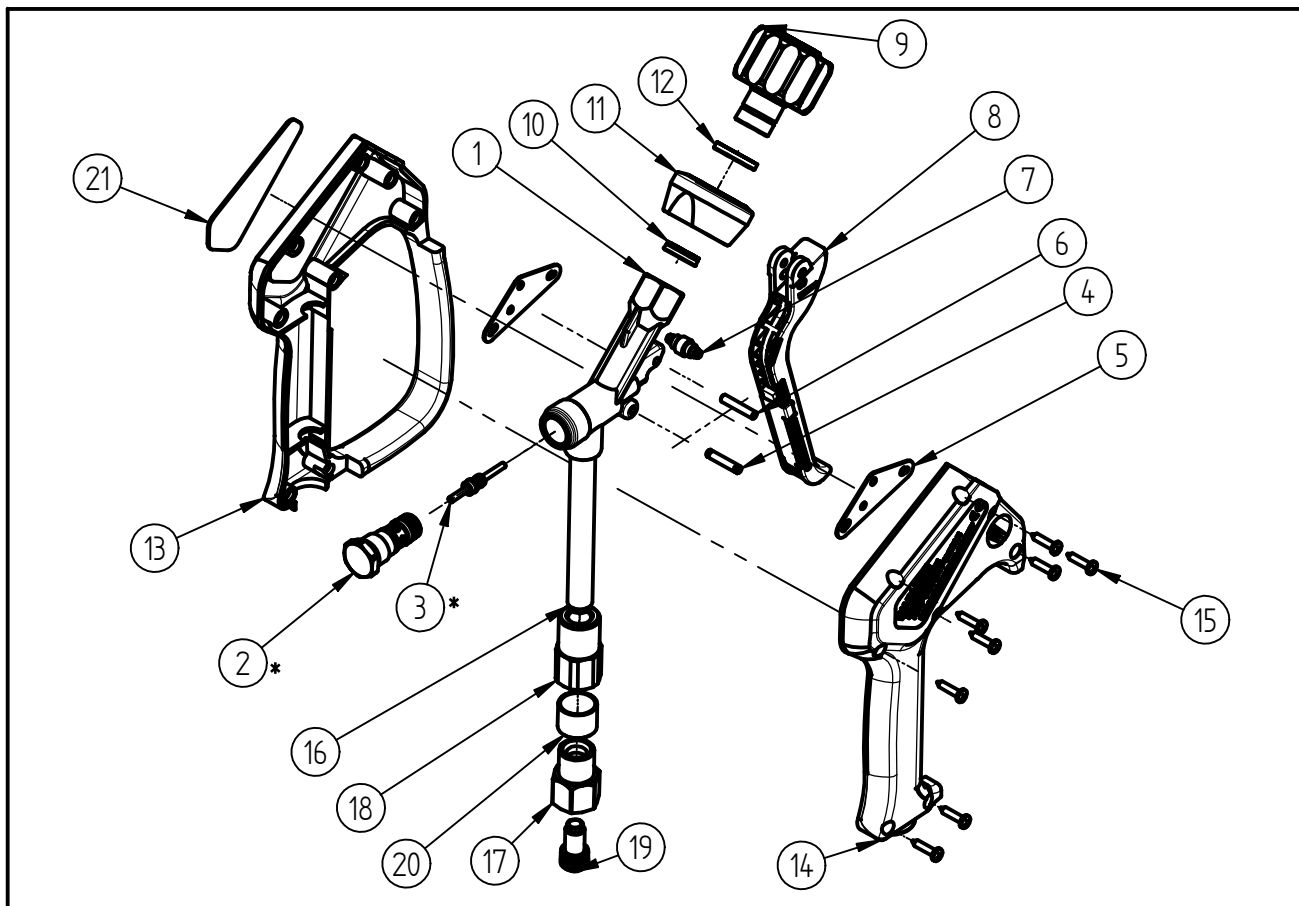


## Spare Part

# High Pressure Spray Gun ST - 2600

Item-No. 20 2600 530



Pos.	Item-No.	Description	Pos.	Item-No.	Description
1	01 0007 348	Housing	15	04 0000 051	Screw 3,5x16
2	20 2300 455	Valve TM ST-2300/2600	16	07 0001 157	Pipe inlet
3	20 2300 380	Piston rod complete	17	04 0001 805	Inlet nut G3/8
4	04 0007 060	Pin	18	01 0001 420	Connection Part
5	04 0007 058	Support plate	19	20 0300 100	Repair-Kit Swivel
6	04 0007 080	Axle for trigger	20	02 0008 610	slide bearing
7	20 2600 400	Pressure roller complete	21	02 0008 631	Label blue
8	20 2600 415	Trigger complete blue			
9	20 2300 485	Coupling complete			
10	05 0000 245	Ring			
11	02 0000 240	Adapter for coupling			
12	01 0000 252	Washer			
13	02 0008 615	Plastic housing with handle			
14	02 0008 620	Plastic housing			

## Repair-Kits

Pos.	Item-No.	Description	Pos.	Item-No.	Description
*	20 2300 490	Repair-Kit ST-2300/2600			