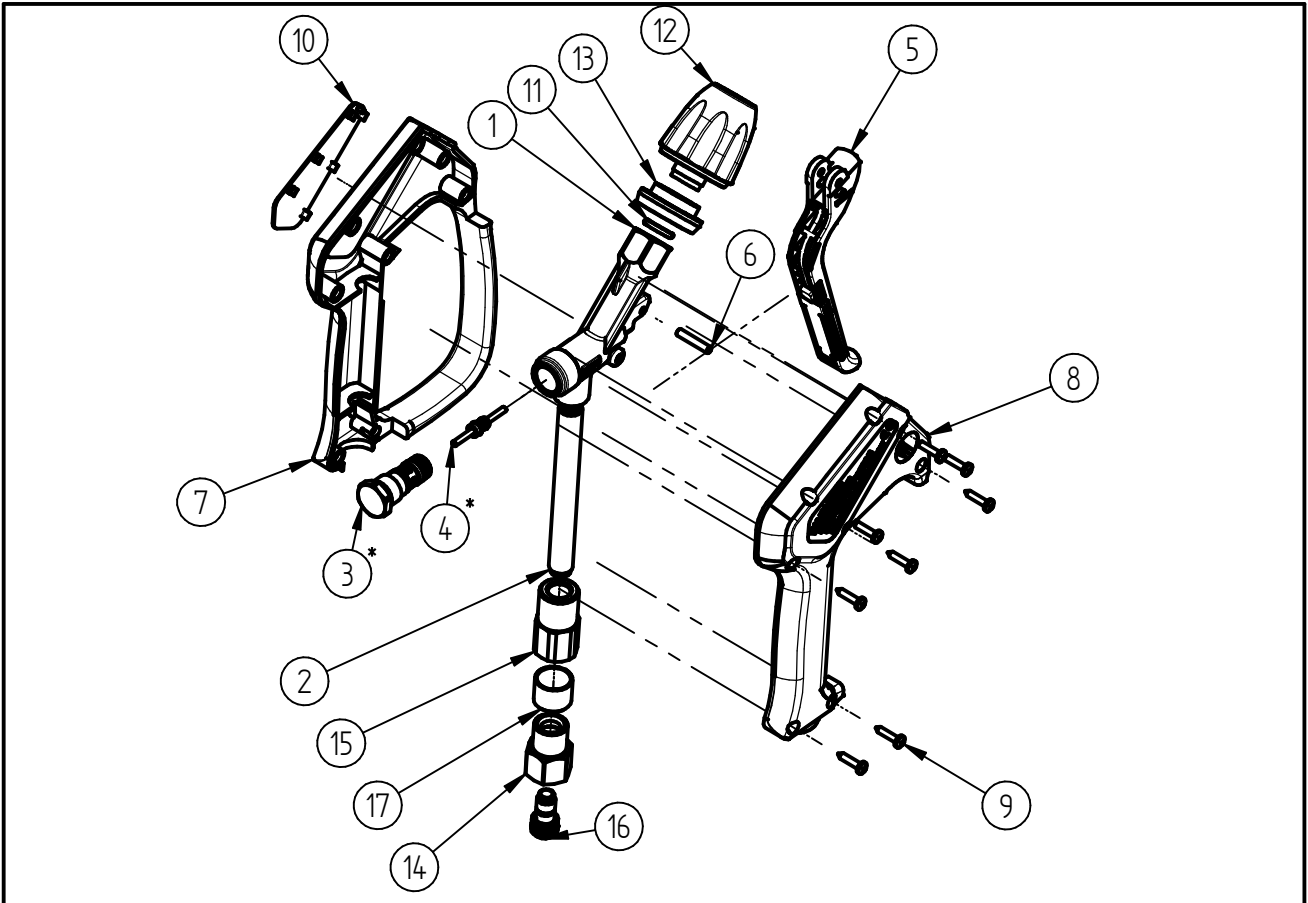


Spare Parts

High Pressure Spray Gun ST-2300

Item-No. 20 2300 540



| Pos. | Item-No. | Description | Pos. | Item-No. | Description |
|------|-------------|----------------------------------|------|-------------|--------------------------|
| 1 | 01 0007 332 | Housing ST-2300 ST-2600 Q2008 | 15 | 01 0001 420 | Connection Part |
| 2 | 07 0001 157 | Pipe inlet | 16 | 20 0300 100 | Repair-Kit Swivel ST-300 |
| 3 | 20 2300 455 | Valve TM ST-2300/2600 | 17 | 02 0008 610 | Slide bearing |
| 4 | 20 2300 380 | Piston rod complete | | | |
| 5 | 20 2300 416 | Trigger complete blue | | | |
| 6 | 04 0007 081 | Axle for trigger | | | |
| 7 | 02 0008 632 | Plastic housing with handle blue | | | |
| 8 | 02 0008 633 | Plastic housing blue | | | |
| 9 | 04 0000 051 | Screw 3.5x16 | | | |
| 10 | 02 0008 626 | Label blue | | | |
| 11 | 05 0000 248 | O-Ring 11,91x2,62 HNBR 90Sh | | | |
| 12 | 20 2300 300 | Coupling complete | | | |
| 13 | 02 0003 650 | Adaptor | | | |
| 14 | 04 0001 805 | Inlet nut G3/8 | | | |

Repair-Kits

| Pos. | Item-No. | Description | Pos. | Item-No. | Description |
|------|-------------|-------------|------|----------|-------------|
| * | 20 2300 490 | Repair-Kit | | | |