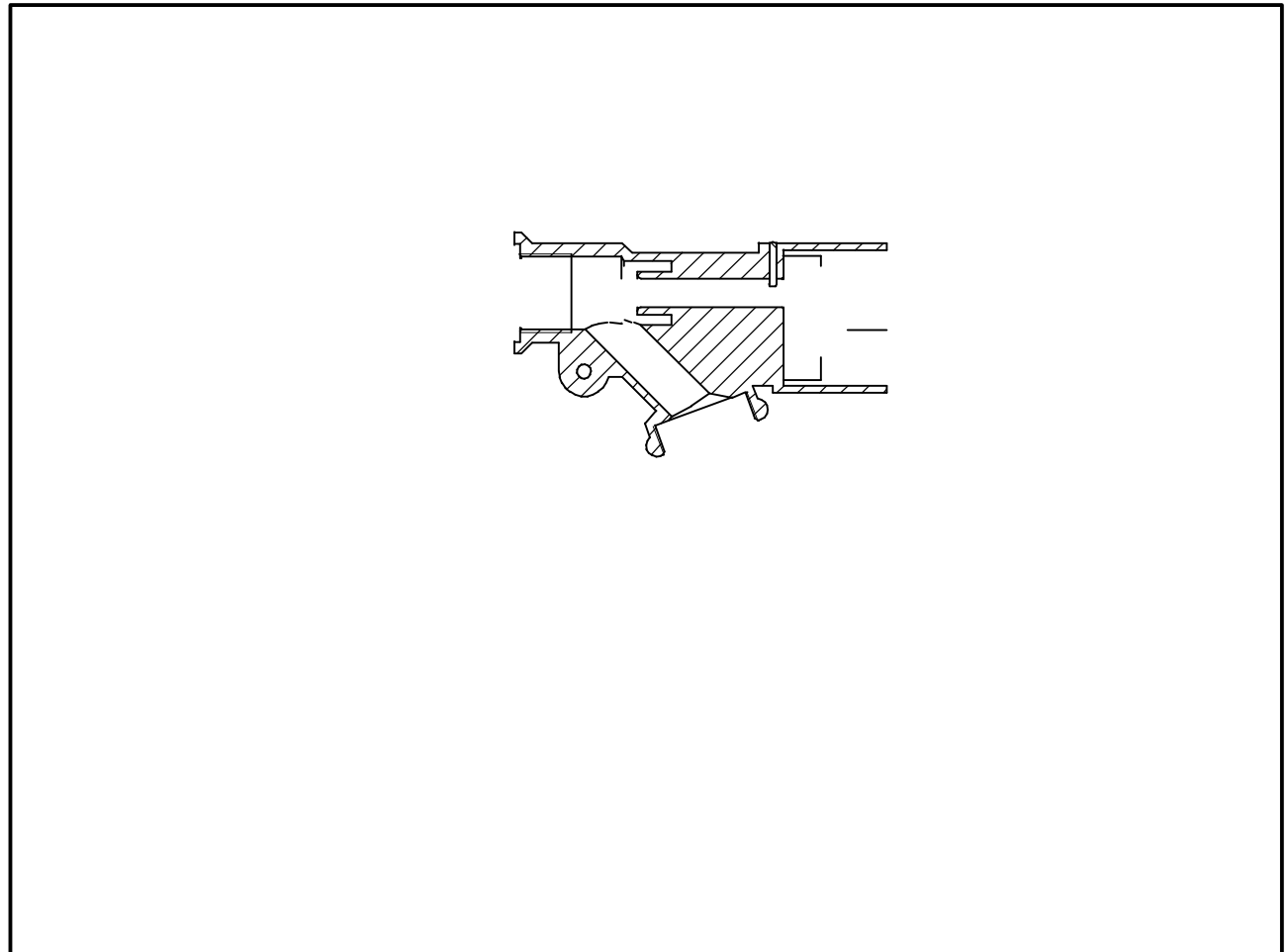


| |
|-----------------------|
| Spare Parts |
| Spray gun ST - 1200 |
| Item -No. 20 1200 500 |



| Pos. | Item -No. | Description |
|-------|-------------|---------------------------------|
| 1 | 20 1200 490 | Repa ir-k it „1“ be com posed |
| 1.1 | | Nozzle |
| 1.2 | | Spring |
| 1.3 | | Piston rod com pl. be com posed |
| 1.3.1 | | Piston rod |
| 1.3.2 | | Valve disk com plete. |
| 1.3.3 | | O-ring |

| Pos. | Item -No. | Description |
|------|-------------|-------------------------------|
| 2 | 20 1200 495 | Repa ir-k it „2“ be com posed |
| 2.1 | | Protection for valve housing |
| 2.2 | | Protection for handle |
| | | |
| | | |
| | | |