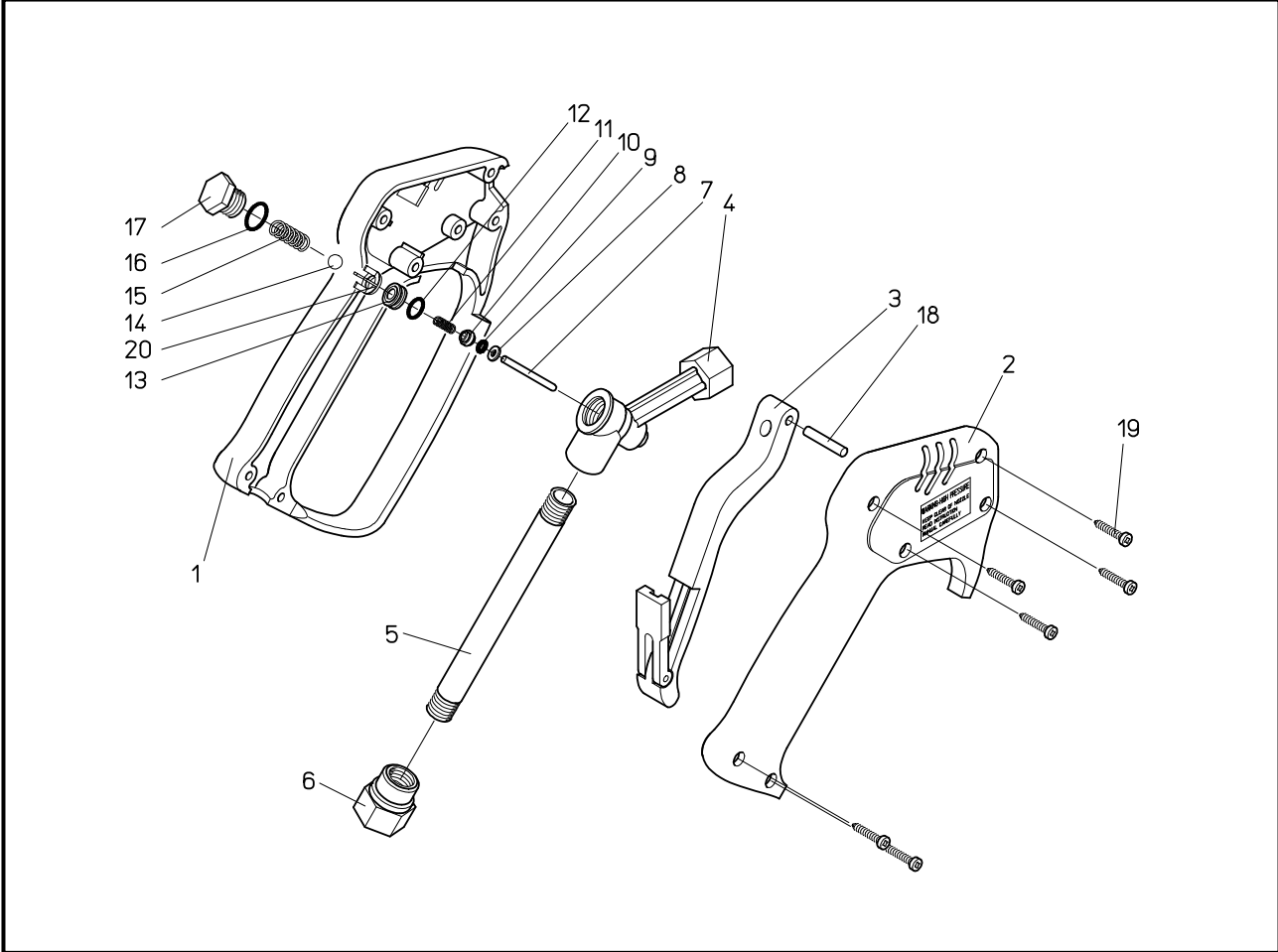


Spare Parts
High Pressure Spray Gun ST - 1100
Item-No. 20 1100 500



Pos.	Item-No.	Description
N=	MO=MMMU=RNM=	mā-ēīā=Ūçī ēāāŌ=i āīŪ=Ū-āÇāĒ=
O=	MO=MMMU=ROM=	mā-ēīā=Ūçī ēāāŌ=
P=	OM=NNMM=RMR=	qēāŌŌĒē-Āç ā ēāĒĒ=
Q=	MN=MMMS=NMM=	s-āī Ē=Ūçī ēāāŌ=
R=	MT=MMMN=PVT=	māēĒ-āāĒĒ=
S=	MN=MMMO=SMM=	fāāĒī-āī ī=PLU =īĒ ā -āĒ=
G=T=	MQ=MMMR=SMM=	māēīçā-ēçç=
G=U=	MR=MMMN=SQM=	_Āā-ēāāŌ=
G=V=	MR=MMMN=OSM=	I JēāāŌ=
G=NM=	MN=MMMS=NOM=	pĒ-ā-ēī ēēçēī=
=	=	=

Pos.	Item-No.	Description
G=NN=	MS=MMMM=VPM=	pēēāāŌ=
G=NO=	MR=MMMM=QSR=	I JēāāŌ=
G=NP=	MQ=MMMR=SNM=	pĒ-ā=
G=NQ=	MQ=MMMM=PPM=	pī-āāĒĒēē-ēīĒĒ-Ā-ā=
G=NR=	MS=MMMM=VQM=	pēēāāŌ=
G=NS=	MR=MMMM=ONM=	I JēāāŌ=
G=NT=	MN=MMMS=NNM=	pĀēĒī =ēāī Ō=
NU=	MN=MMMN=OQR=	māā-Q-ñ-OR=
NV=	MQ=MMMM=MRM=	pĀēĒī =PIR-ñ-NS=
OM=	=	mçēāīāç-ā-āē-Çēçē=
G=	OM=NNMM=QMN=	oĒē-āēJ-hāī=pqJNNMM=