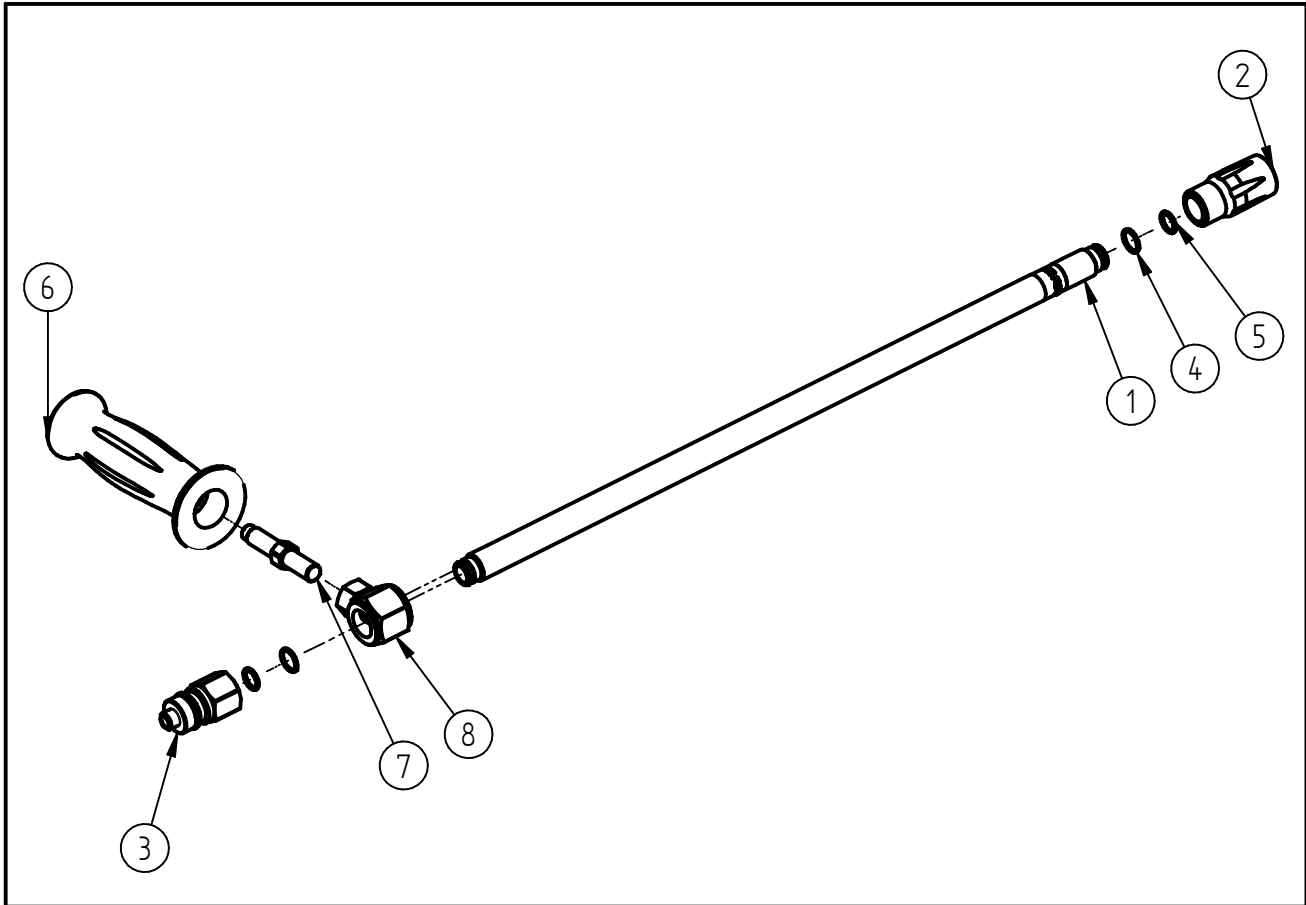


Spare Parts  
**Extension ST-3600**  
 Item-No. 20 3600 444



Pos.	Item-No.	Description
1	04 0005 700	Pipe 450mm
2	04 0004 110	nozzle protection
3	04 0005 451	plug
4	05 0000 126	Back up ring
5	05 0001 521	O-Ring 10x1,5
6	20 0009 690	Handle complete
7	01 0000 160	Clamping piston
8	20 3600 299	Handle adater

## Repair-Kits

Pos.	Item-No.	Description	Pos.	Item-No.	Description
.					