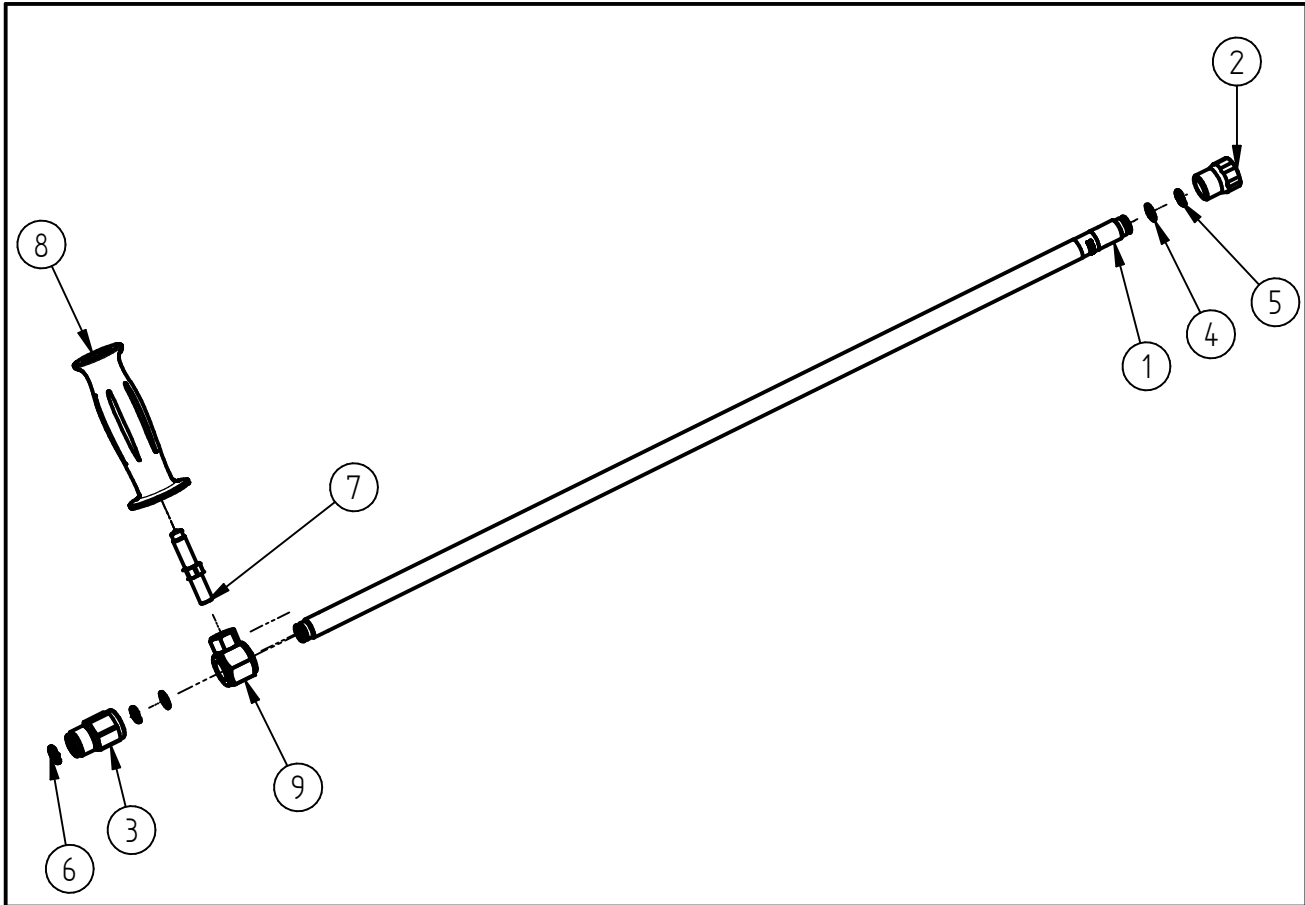


Spare Parts  
Extension  
Item-No. 20 3600 401



Pos.	Item-No.	Description
1	04 0005 710	Pipe 750mm
2	04 0004 111	Nozzle protection 1/4" NPT
3	04 0002 726	Adapter
4	05 0000 126	Back up ring
5	05 0001 521	O-Ring 10x15
6	05 0000 305	O-ring
7	01 0000 160	Clamping piston
8	20 0009 690	Handle complete
9	20 3600 299	Handle adapter

## Repair-Kits

Pos.	Item-No.	Description	Pos.	Item-No.	Description
.					