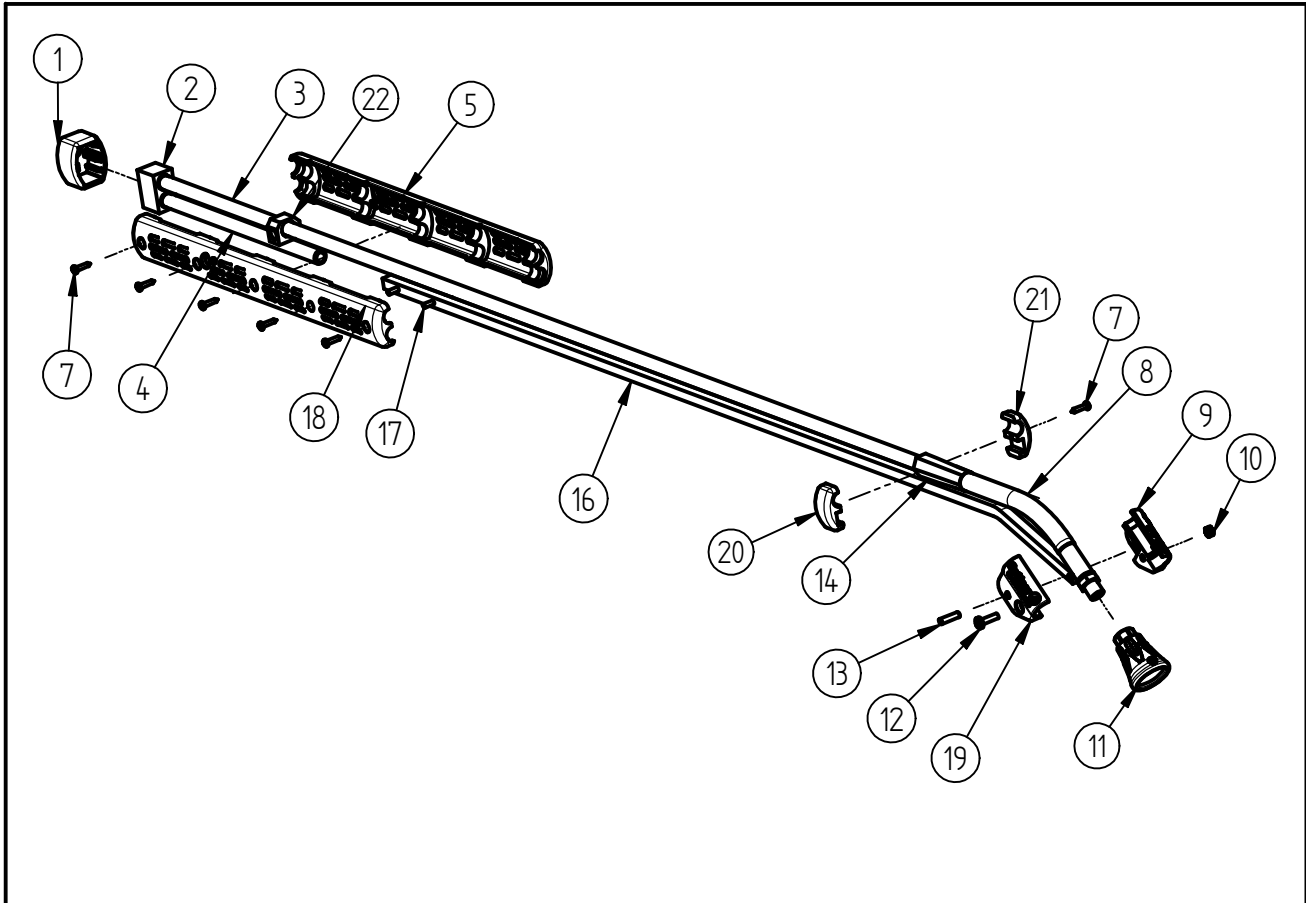


Spare Parts
Lance "Push and Pull"
Item-No. 20 0085 750



Pos.	Item-No.	Description	Pos.	Item-No.	Description
1	02 0002 770	Cover housing	17	04 0002 885	Straight pin 4x30
2	01 0002 200	Housing	18	02 0002 750	Semi casing (1)
3	07 0000 070	Lance 1200 mm	19	02 0007 510	Hose holder right
4	07 0000 440	Lance 250mm	20	02 0002 780	Clamp (1)
5	02 0002 760	Semi casing (2)	21	02 0002 790	Clamp (2)
7	04 0000 051	Screw 3.5x16	22	01 0005 030	Bracket
8	20 0085 300	Hose			
9	02 0007 500	Hose holder left			
10	04 0002 865	Nut M5			
11	20 0010 700	Nozzle protection ST-10 black/black			
12	04 0002 870	Screw M5x16			
13	04 0002 880	Straight pin 5x20			
14	02 0007 530	Shrinkdown plastic tube			
16	03 0000 250	Aluminium bar			

Repair-Kits

Pos.	Item-No.	Description	Pos.	Item-No.	Description
.					