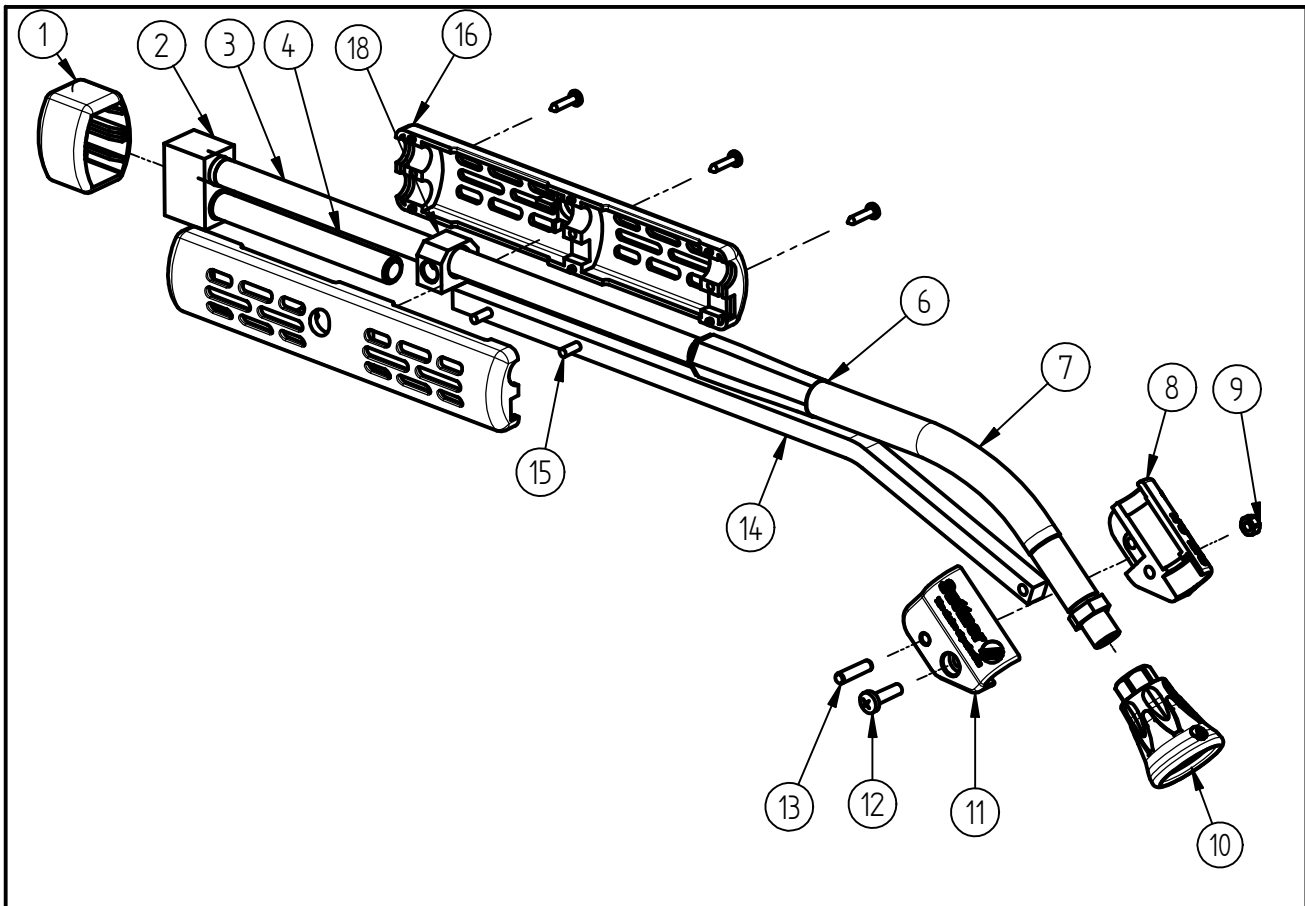


Spare Parts
Lance "Push and Pull"
Item-No. 20 0085 200



Pos.	Item-No.	Description	Pos.	Item-No.	Description
1	02 0002 770	Cover housing	15	04 0002 885	Straight pin 4x30
2	01 0002 200	Housing	16	02 0002 655	Semi casing (1)
3	07 0000 025	Lance 320mm	17	04 0000 051	Screw 3.5x16
4	07 0000 441	Lance 120mm	18	01 0005 030	Bracket
5	02 0002 665	Semi casing (2)			
6	02 0007 530	Shrinkdown plastic tube			
7	20 0085 300	Hose			
8	02 0007 500	Hose holder left			
9	04 0002 865	Nut M5			
10	20 0010 700	Nozzle protection ST-10 black/black			
11	02 0007 510	Hose holder right			
12	04 0002 870	Screw M5x16			
13	04 0002 880	Straight pin 5x20			
14	03 0000 220	Aluminium stick			

Repair-Kits

Pos.	Item-No.	Description	Pos.	Item-No.	Description
.					