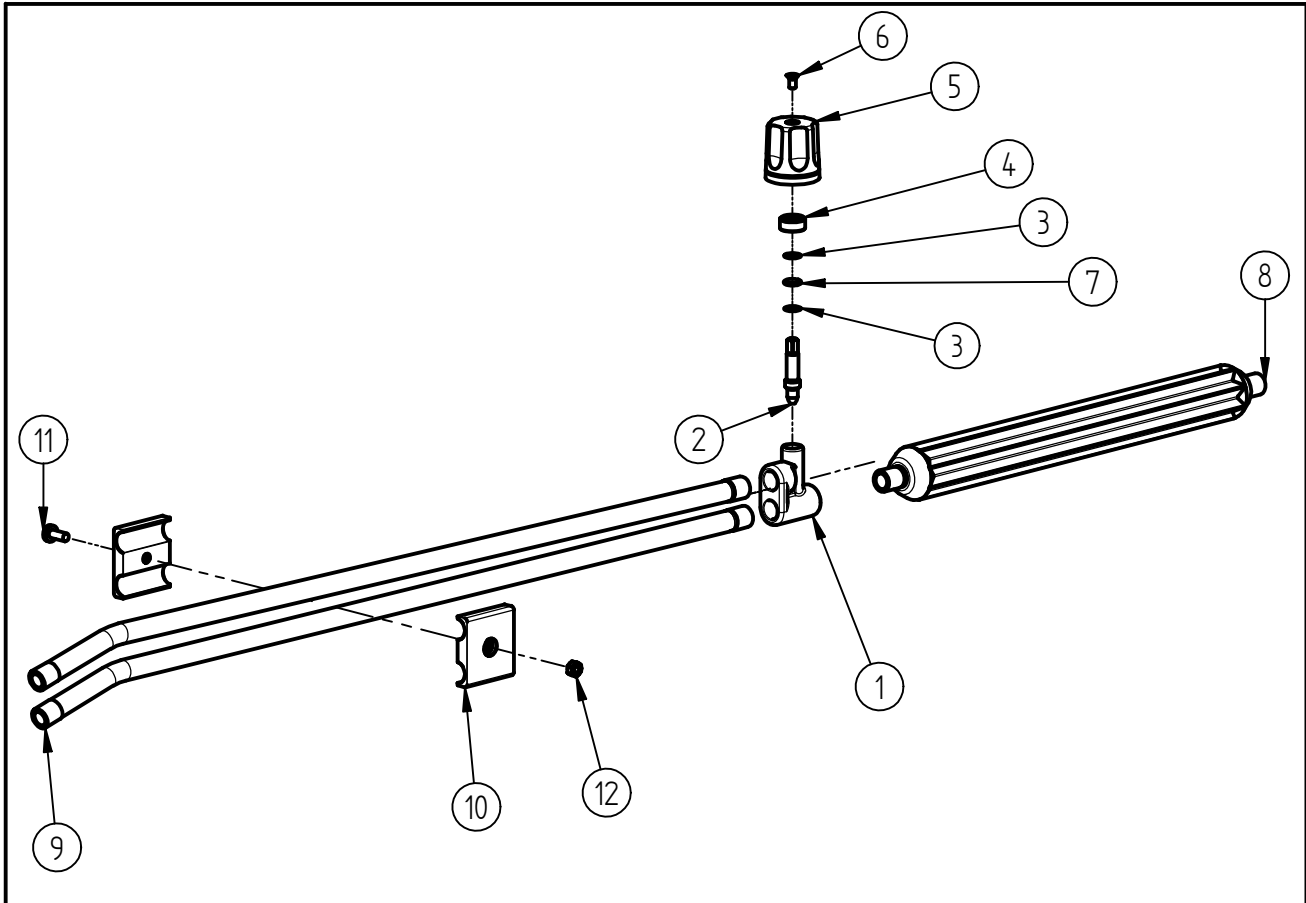


Spare Parts
Double Lance ST-53
 Item-No. 20 0053 520



Pos.	Item-No.	Description
1	01 0002 564	housing
2	01 0002 559	piston
3	01 0002 568	plate
4	01 0002 565	coupling nut
5	02 0001 821	handwheel
6	04 0000 605	screw
7	05 0000 905	o- ring
8	07 0000 330	spray lance, insul. 320/300
9	07 0000 040	Nozzle Pipe
10	02 0005 081	Plastic clamp
11	04 0000 170	Screw M5
12	04 0000 160	Nut M5

Repair-Kits

Pos.	Item-No.	Description	Pos.	Item-No.	Description