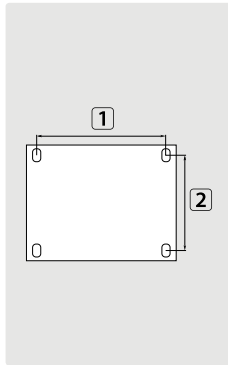


Ravel motors

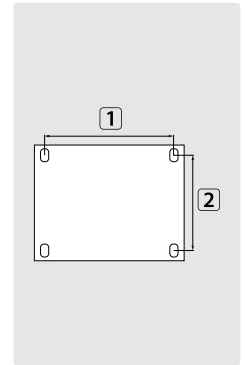
Motor with hollow shaft



IP54, 1,400 r.p.m.

R+M Nr.	∅	hole size 1 x 2	TYP	V	A	KW
175 001 061	24	140 x 160 mm	H100	400	6.9	3.0
175 001 081	24	140 x 190 mm	H112	400	9.4	4.0
175 001 090	24	140 x 190 mm	H112	400	12.1	5.5
175 001 120	24	140 x 216 mm	H132S	400	15.4	7.5

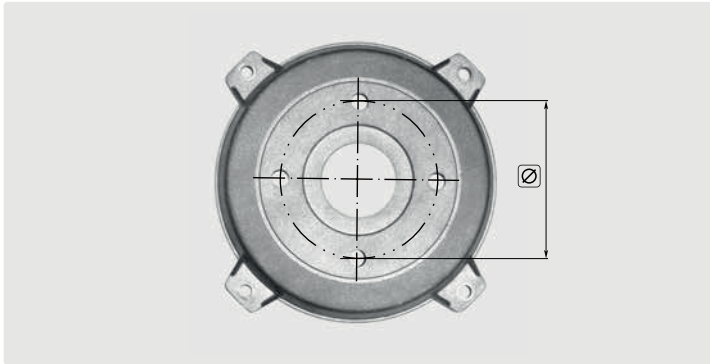
Motor with solid shaft



IP54, 1,400 r.p.m.

R+M Nr.	∅	hole size 1 x 2	TYP	V	A	KW
175 002 004	24	140 x 160 mm	H100	400	5.1	2.2
175 002 001	28	140 x 190 mm	H112	400	9.4	4.0
175 002 002	28	140 x 190 mm	H112	400	12.6	5.5
175 002 091	38	140 x 216 mm	H132S	400	16.8	7.5

Flange for hollow shaft motor



R+M Nr.	TYP	bolt-circle ∅
175 300 306 1	H 100	75 mm
175 300 307 4	H 112	75 mm
175 300 305 1	H 100	87 mm
175 300 305 2	H 112	87 mm

Further versions of Ravel motors are available on request!

Pump/motor assignment on page 42