

## Relief valves / pressure regulation valves

### ST-230 Pressure regulating valve



Seal possible



- » Relief valve intended for use on water-operated high-pressure systems such as high-pressure cleaners or water heaters
- » Approved for use with fluids of Group II according to 2014/68/EU
- »  $\bar{L}$  110 mm
- » Max. 30 l/min / 95 °C

R+M Nr.	$\ominus$	$\oplus$	P
200 230 520	1/4" F	1/4" F	10-100
200 230 501	1/4" F	1/4" F	80-250
200 230 502	M16 x 1,5 M	1/4" F	80-250
200 230 601	1/4" F	1/4" F	120-350
200 230 602	M16 x 1,5 M	1/4" F	120-350

### Repair kits



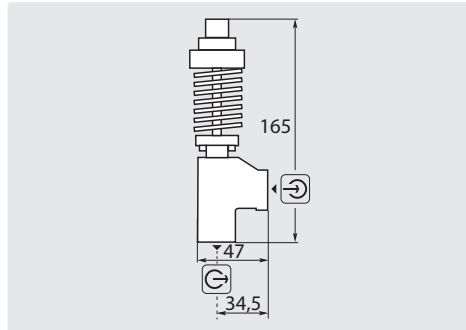
ST-230

R+M Nr.	for TYP
200 230 495*	100 bar
200 230 495*	250 bar
200 230 496	100 bar
200 230 496	250 bar
200 230 497	350 bar

### ST-230-700 Pressure regulating valve



Seal possible

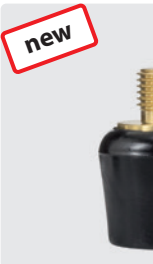


$\bar{L}$  165 mm. Max. 40 l/min / 60 °C.  
Short-term max. 85 °C

R+M Nr.	$\ominus$	$\oplus$	P
200 230 700	3/8" F	1/4" F	200-700

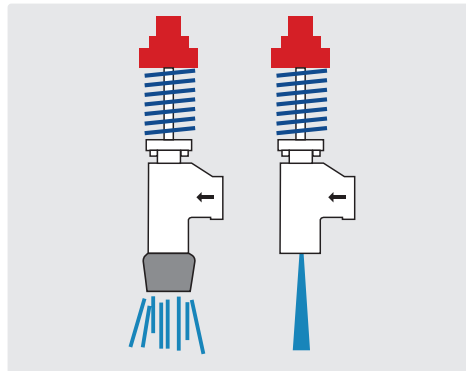


### Jetbreaker



$\bar{L}$  27 mm

R+M Nr.	$\oplus$
200 230 410	3/8" M

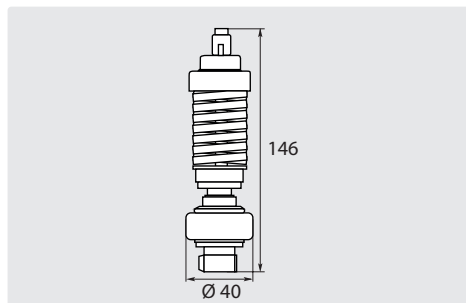


### ST-220

Seal possible



new



$\bar{L}$  146 mm. Max. 700 bar / 50 l/min / 85 °C

R+M Nr.	$\oplus$
200 220 500	1/2" M

