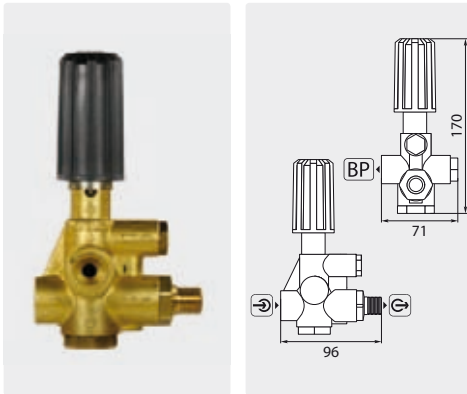


INTERPUMP regulation valves

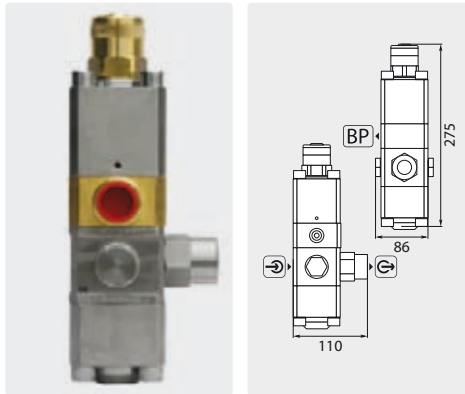
HM



☉ = inlet 3/8" F. ☉ = outlet 3/8" M. BP = bypass 3/8" F. MN = pressure gauge 1/4" F.
Max. 200 bar / 80 °C

R+M Nr.	☉
010 002 00	5 - 41 l/min

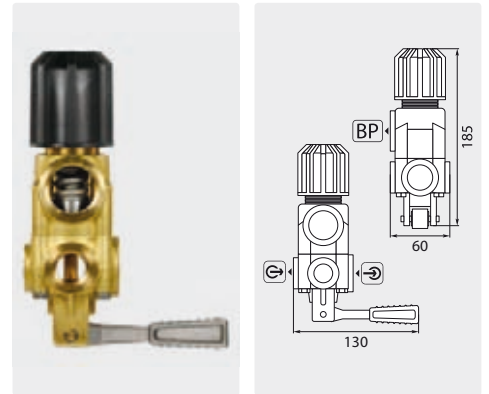
BKX



☉ = inlet 1/2" F. ☉ = outlet 1/2" F.
BP = bypass 3/4" F.
Max. 600 bar / 80 °C

R+M Nr.	☉
010 000 02	60 l/min

TIMAX



☉ = inlet 3/4" F. ☉ = outlet 1/2" F.
BP = bypass 1" F.
Max. 60 bar / 80 °C

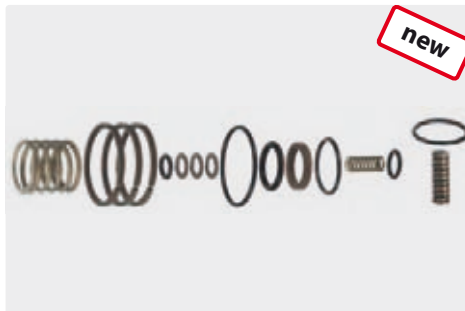
R+M Nr.	☉
010 010 01	200 l/min

Repair kits



R+M Nr.	Kit Nr.	TYP
340 058 01	58	K5
340 060 01	60	K5
340 070 01	70	K7
340 072 01	72	HM
340 093 01	93	W2, W2L
340 094 01	94	W2, W2L

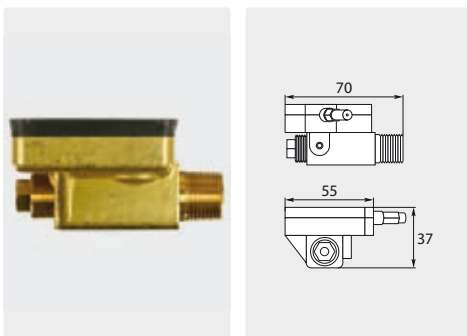
Rep. Kit BKX



R+M Nr.	
010 000 03	

Throttle control

IP adjustable

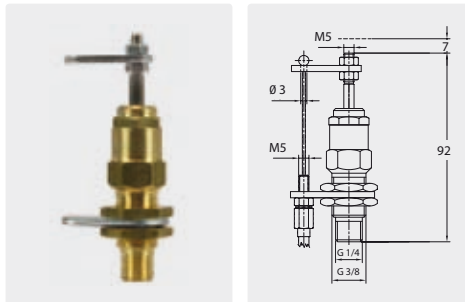


Regulator with string 1000 mm. Min. 50 bar.
Max. 200 bar / 75 °C

R+M Nr.	☉
995 000 00	3/8" M

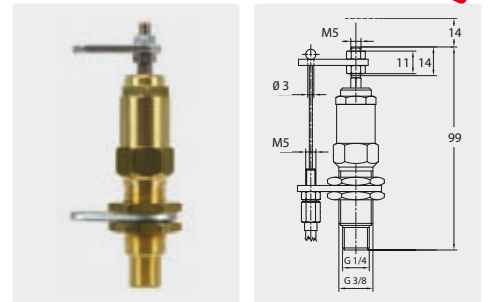
RG1

Throttle control for engine motors. It slows RPM down when by-pass is activated.



☉ 1/4" M. 15 - 250 bar - 218 - 3650 psi.
Max. 160 °C.

R+M Nr.	Stroke	☉
532 012 0	7 mm	140 g



☉ 1/4" M. 15 - 250 bar - 218 - 3650 psi.
Max. 160 °C.

R+M Nr.	Stroke	☉
532 013 0	14 mm	158 g

Symbols ☉ inlet ☉ outlet BP bypass MN pressure gauge ☉ flow TYP type ☉ weight ☉ thread