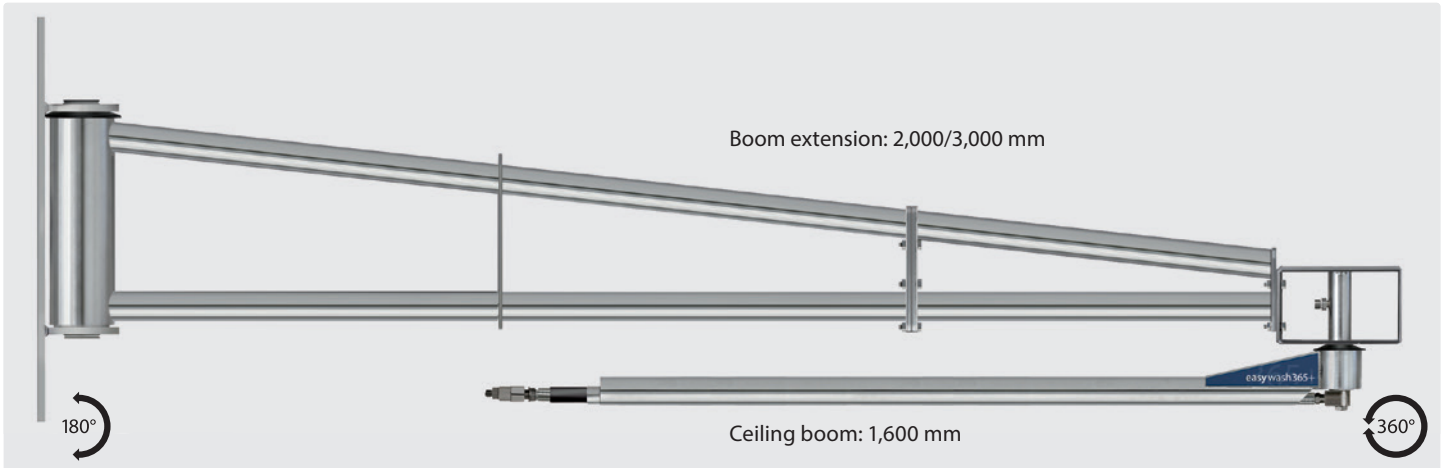
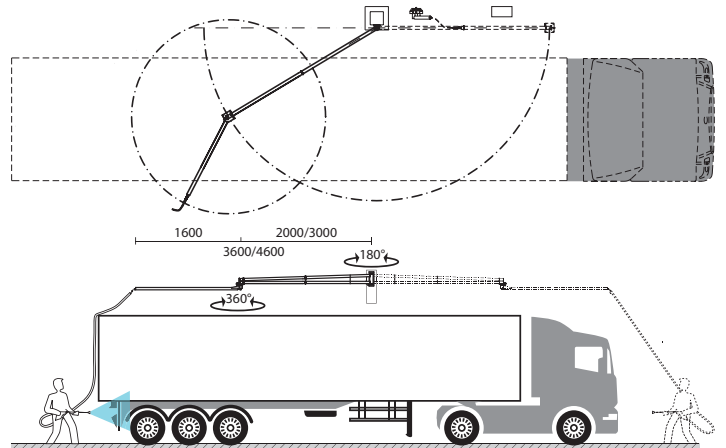


easywash365+ wall boom extension with ceiling boom

Wall boom extension with ceiling boom



- » Designed for washing large vehicles
- » Ceiling boom swivelling 360°, wall boom swivelling by 180°
- » Maintenance-free ball bearing swivels
- » Optionally available counter plate
- » Total length of up to 4,600 mm
- » Max. 275 bar / 120 °C
- » Connection: 3/8" M
- » Material: stainless steel



easywash365+ wall boom extension with ceiling boom

| R+M Nr. | ↔ | ⊗ | ⊙ |
|-------------|---------------|--------|--------|
| 109 760 972 | 2,000 + 1,600 | 3/8" M | 3/8" M |
| 109 760 973 | 3,000 + 1,600 | 3/8" M | 3/8" M |

easywash365+ wall boom counter plate

Stainless steel. 10 mm

R+M Nr.

109 790 419 3

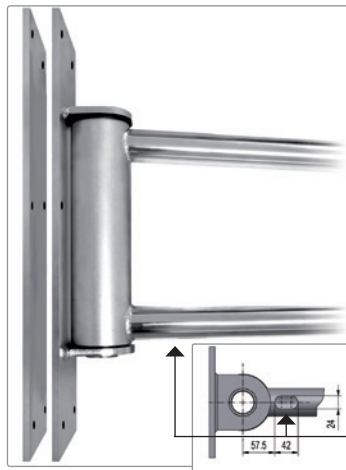
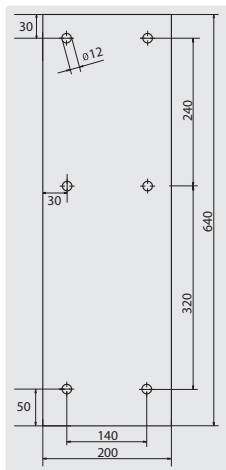
High pressure hose for easywash365+ boom extension

3/8" DKR : 3/8" DKR - 90°. 2 SC. DN 8. Black

R+M Nr.

345 154 002 11 2,100

345 154 003 11 3,100



Top connection: robust bracket for safe assembly of the boom

Very robust and welded attachment with an optionally available counter plate for your safety (screws M10)

Pass: high pressure hose for wall boom extension is optionally available

Symbols ⊗ inlet ⊙ outlet ↔ length 🚚 shipment by truck