

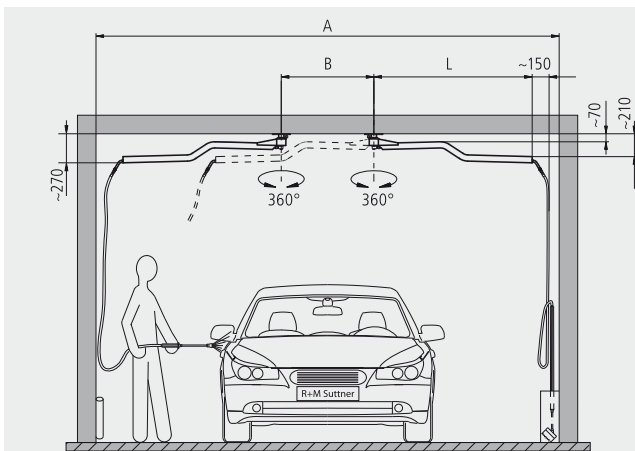
easywash365+ car wash ceiling booms

easywash365+ car wash ceiling boom-Z



Stainless steel. Ready for installation with two integrated swivels and professional high pressure hose with spring and integrated hose bend restrictors. Axle 2-ball bearings and permanently lubricated. Especially designed for using two booms side by side.
Max. 275 bar / 90 °C

R+M Nr.					
109 765 926	1,550 mm	1/4" F	1/4" M	8.0 kg	



Mounting example for ceiling boom-Z

- A = 4,600 mm
- B = 900 mm
- C = 1,500 mm
- D = 750 mm
- L = 1,550 mm

