

easywash365+ lance holder

Lance holder for floor mounting



Lance holder with drain  $\varnothing$  20 mm.  
Pipe length 730 mm.  
Appropriate wall mounting bracket (105 625)

R+M Nr.	(M)	Pipe- $\varnothing$
105 620	stainless steel	60 mm



Lance holder with drain  $\varnothing$  20 mm.  
Pipe length 730 mm.  
Appropriate wall mounting bracket (105 625)

R+M Nr.	(M)	Pipe- $\varnothing$
105 626	stainless steel	100 mm

Lance holder with suspension



Holder with suspension and drain  $\varnothing$  20 mm.  
Pipe length 730 mm.  
Appropriate wall mounting bracket (105 625)

R+M Nr.	(M)	Pipe- $\varnothing$
105 650	stainless steel	60 mm

easywash365+ lance holder



Lance holder with drain  $\varnothing$  20 mm.  
Pipe length 730 mm

R+M Nr.	(M)	Pipe- $\varnothing$
105 640	stainless steel	60 mm

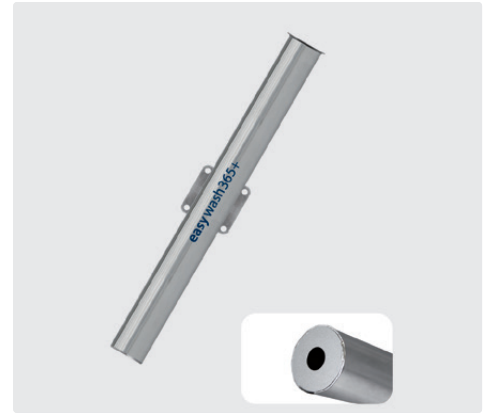
easywash365+ twin lance holder



Lance holder with drain  $\varnothing$  20 mm.  
Pipe length 2 x 730 mm

R+M Nr.	(M)	Pipe- $\varnothing$
105 660	stainless steel	60 mm

Lance holder for wall mounting



Pipe length 590 mm

R+M Nr.	(M)	Pipe- $\varnothing$
105 630	stainless steel	60 mm

easywash365+ carwash lance holder

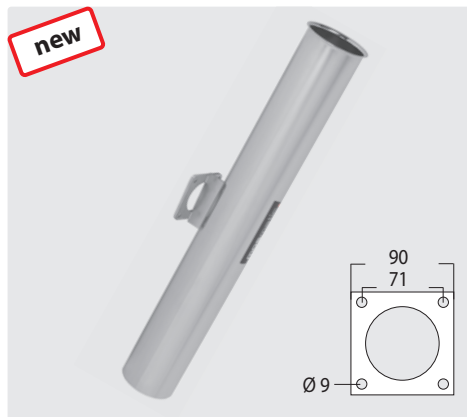


Stainless steel. Height adjustable.  
Lance support: 800 mm.

R+M Nr.	(S)	(I)	(A)
105 610 060	7 kg	800-900 mm	710 mm

Lance holder, Mosmatic

Lance holder for wall mounting



Pipe length 720 mm

R+M Nr.	(M)	Pipe- $\varnothing$
108 291 43	stainless steel	60 mm