

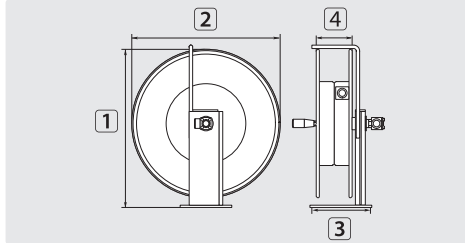
High pressure hose reels

STK

Series STK made out of deep-drawing metal sheet:

- » Fold-away handwheel
- » Adjustable braking and blocking device.
- » Steel shackle avoids rolling over of the hose.
- » Maintenance-free synthetic bearing sleeves.

- » The hose reels are all equipped with a swivel ST-322. The swivel ST-322 are completely made out of stainless steel and have a slide ring as sealing element.
- » Suitable for the mediums water or water with cleaning detergent, air, oils and greases.



TYP	outer \varnothing = hose
01	15.0 mm = 24 m
02	15.0 mm = 36 m

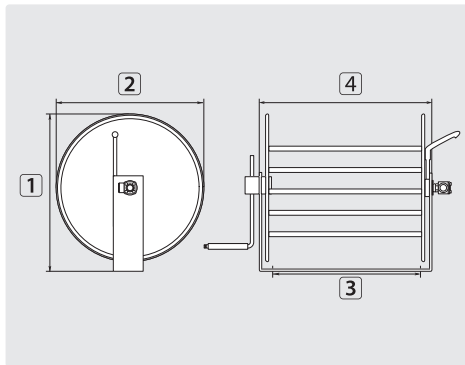
Powder-coated steel

R+M Nr.	\odot	\ominus	DN	P	$^{\circ}\text{C}$	δ	1	2	3	4	TYP
760 20	3/8" F	3/8" F	10	400 bar	90 $^{\circ}\text{C}$	6.2 kg	437 mm	400 mm	210 mm	100 mm	01
760 30	3/8" F	3/8" F	10	400 bar	90 $^{\circ}\text{C}$	6.8 kg	500 mm	460 mm	210 mm	100 mm	02

STKI mini

- » The drum rotates by means of an adjustable handwheel being equipped with a free-wheel polyamide grip.
- » By means of a mechanical brake integrated in the bearing the drum can be slowly decelerated or even totally blocked.
- » Suitable for the mediums water or water with cleaning detergent, air,

- oils and greases.
- » The hose reels are all equipped with a swivel ST-320. The swivels ST-320 are completely made out of stainless steel and have a slide ring as sealing element.



TYP	outer \varnothing = hose
01	15,0 mm = 20 m

Stainless steel V2A / AISI 304

R+M Nr.	\odot	\ominus	DN	P	$^{\circ}\text{C}$	δ	1	2	3	4	TYP
739 40	3/8" F	3/8" F	8	300 bar	90 $^{\circ}\text{C}$	5,0 kg	298 mm	265 mm	210 mm	258 mm	01