

R+M car wash booms

R+M booms with hose reel ST 14



Zinc-plated steel. Extension with hose reel ST 14 made out of stainless steel.
 Hose capacity outer \varnothing = hose \varnothing 15 mm \cdot 20 mm = 12 m.
 Without high pressure hose. Max. 300 bar

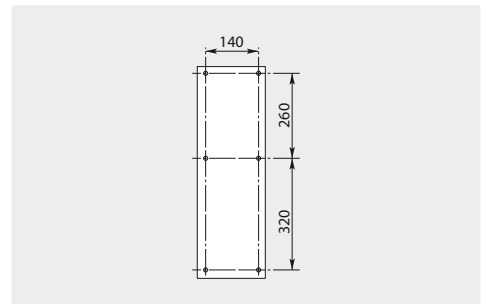
R+M Nr.	\varnothing	\odot	\ominus	\boxplus
109 825	2,570 mm	3/8" F	3/8" F	45.0 kg
109 835	3,570 mm	3/8" F	3/8" F	50.0 kg
109 845	4,570 mm	3/8" F	3/8" F	54.0 kg

Hose carrier



Hose \varnothing 10 - 34 mm

R+M Nr.
741 03



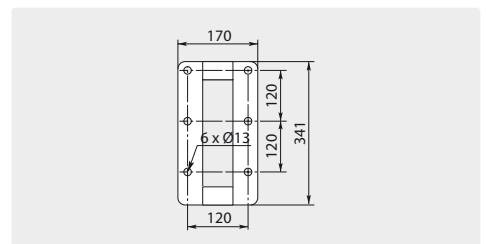
R+M car wash booms

R+M booms with pressure pipe



Zinc-plated steel. Pipe zinc-plated steel. Maintenance-free. Max. 400 bar

R+M Nr.	\varnothing	\odot	\ominus	\boxplus
109 10	2,000 mm	1/4" M	1/4" M	12.0 kg
109 20	2,500 mm	1/4" M	1/4" M	14.0 kg
109 30	3,000 mm	1/4" M	1/4" M	15.0 kg
109 40	3,500 mm	1/4" M	1/4" M	17.0 kg



Symbols \varnothing length \odot inlet \ominus outlet \boxplus weight \varnothing diameter shipment by truck