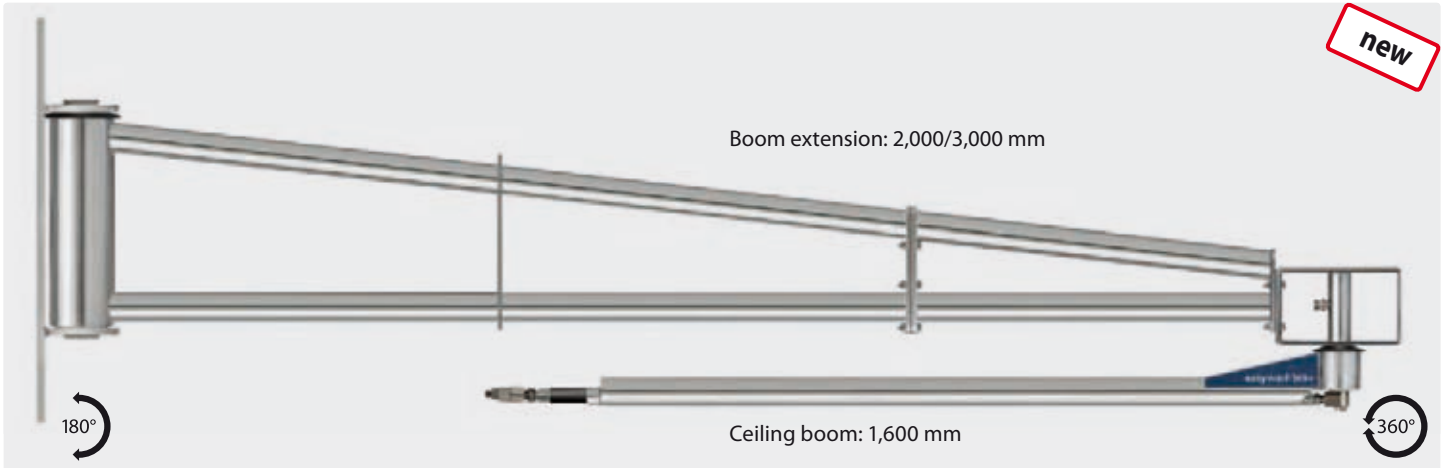
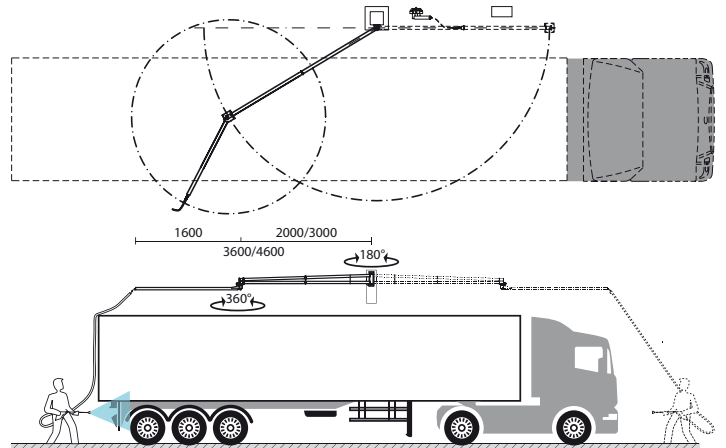


easywash365+ wall boom extension with ceiling boom

Wall boom extension with ceiling boom



- » Designed for washing big vehicles
- » Ceiling boom swivelling 360°, wall boom swivelling by 180°
- » Maintenance-free ball bearing swivels
- » Optionally available counter plate
- » Total length of up to 4,600 mm
- » Max. 275 bar / 120 °C
- » Connection: 3/8" M
- » Material: stainless steel



easywash365+ wall boom extension with ceiling boom

R+M Nr.	↔	⊕	⊖
109 760 972	2,000 + 1,600	3/8" AG	3/8" AG
109 760 973	3,000 + 1,600	3/8" AG	3/8" AG

easywash365+ wall boom counter plate

Stainless steel. 10 mm

R+M Nr.

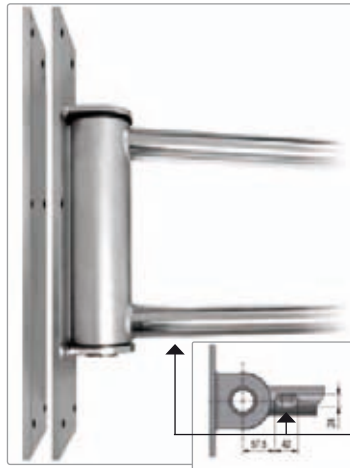
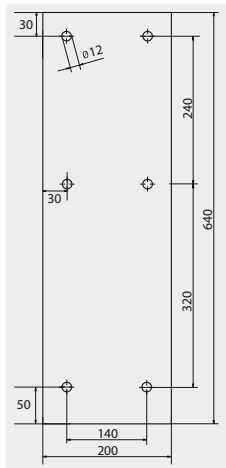
109 790 419 3

High pressure hose for easywash365+ boom extension

3/8" DKR : 3/8" DKR - 90°. 2 SC. DN 8. Black

R+M Nr.

345 154 002 11 2,100
 345 154 003 11 3,100



- Top connection:** robust bracket for safe assembly of the boom
- Very robust** and welded attachment with an optionally available counter plate for your safety (screws M12)
- Pass:** high pressure hose for wall boom extension is optionally available

Symbols ⊕ inlet ⊖ outlet Ⓢ weight ↔ length 🚛 shipment by truck