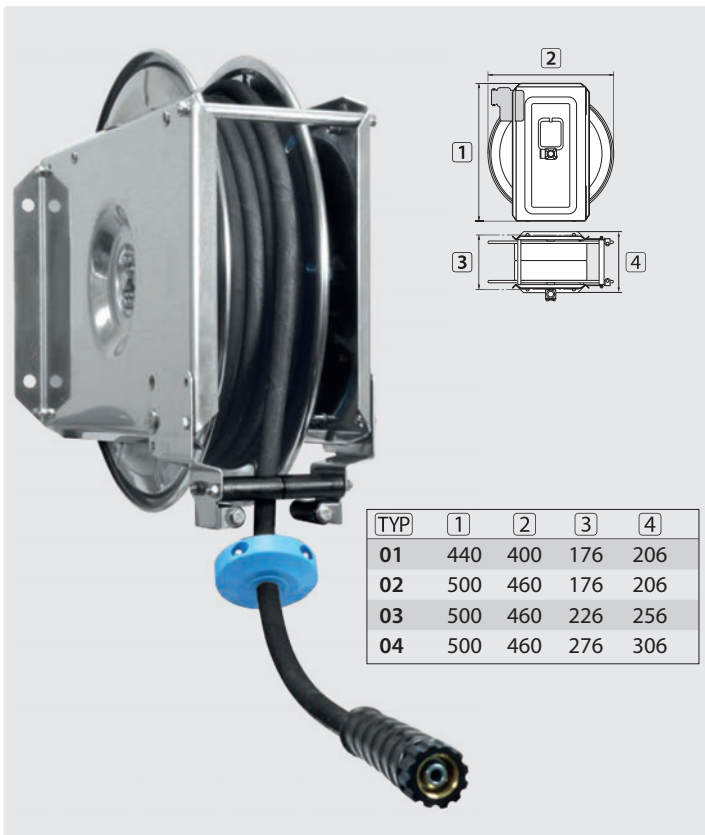


Automatic hose reel, mounted with pre-assembled HP-hoses



Hose reel: Stainless steel V2A / AISI 304. There are 8 positions per rotation to stop the hose. A quick pull unmakes the locking device. Suttner swivel ST-322 made out of stainless steel.
Max. 90 °C



TYP 01 with HP-hose: 1 SN. DN 10. 10 metres.
Wrapped, black cover

R+M Nr.	P	G	⊖	★
740 140 01	210 bar	3/8" F	M22 F	●

TYP 02 with HP-hose: 2 SC. DN 8. 20 metres.
Wrapped, black cover

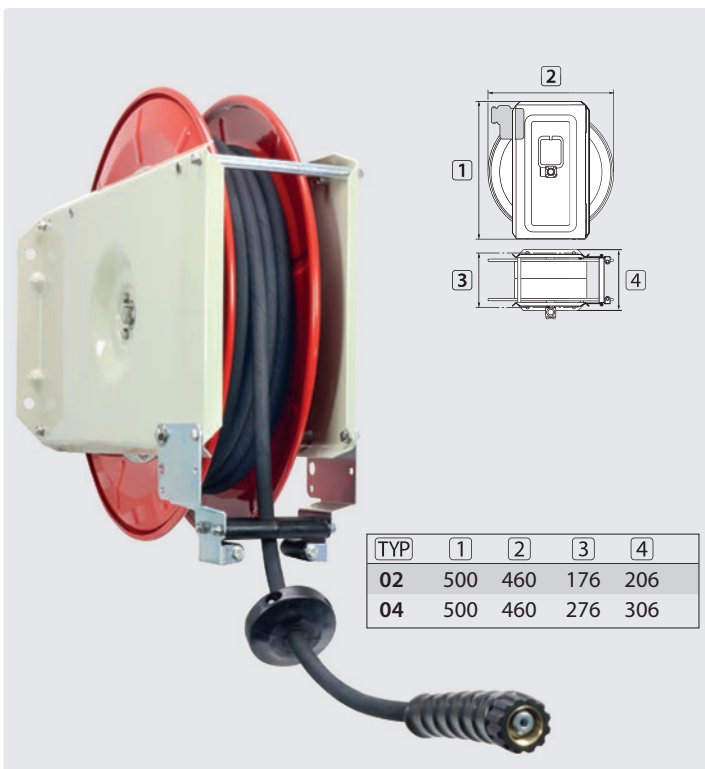
R+M Nr.	P	G	⊖	★
740 202 201	400 bar	M22 M	M22 F stainless steel	●

TYP 03 with HP-hose: 1 SN. DN 8. 30 metres.
Smooth, black cover, outlet stainless steel

R+M Nr.	P	G	⊖	★
740 302 222	250 bar	M22 M	M22 F stainless steel	■

TYP 04 with HP-hose: 2 SC. DN 8. 40 metres.
Wrapped, black cover, outlet stainless steel

R+M Nr.	P	G	⊖	★
740 402 201	400 bar	M22 M	M22 F stainless steel	■



Hose reel: Powder-coated steel. There are 8 positions per rotation to stop the hose. A quick pull unmakes the locking device. Suttner swivel ST-322 made out of stainless steel.
Max. 90 °C



TYP 02 with HP-hose: 2 SC. DN 8. 20 metres.
Wrapped, black cover

R+M Nr.	P	G	⊖	★
750 202 201	400 bar	M22 M	M22 F stainless steel	●

TYP 04 with HP-hose: 2 SC. DN 8. 40 metres.
Wrapped, black cover

R+M Nr.	P	G	⊖	★
750 402 201	400 bar	M22 M	M22 F stainless steel	■

TYP 04 with HP-hose: 2 SC. DN 8. 30 metres.
Wrapped, black cover

R+M Nr.	P	G	⊖	★
750 402 202	400 bar	M22 M	M22 F stainless steel	■

Symbols ★ marking G inlet ⊖ outlet P pressure TYP type 🚚 shipment by truck