

Hose guide system . zinc-plated steel . 32 x 30 mm Profil



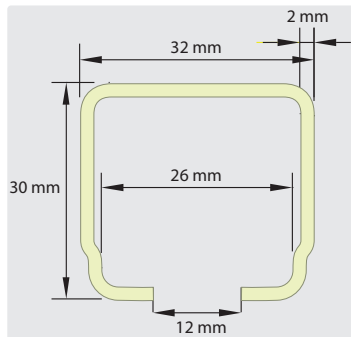
Hose guide system elements for easy installation on 32 x 30 mm profile rails, for existing systems:

- » Material: galvanized steel / plastic.
- » For hoses with an outer diameter of 10-16, 17-25 and 26-32 mm.
- » Safe and variable adaptations, indestructible and easy to disassemble.
- » Smooth-running guide rollers.
- » Corrosion-free and lightweight.
- » Can be put together individually (modular system).
- » Temperature range: - 30 ° C to + 60 ° C.
- » Contact us! We supply a wide range of additional accessories on request!



Galvanized steel, C-Rail 32 x 30 mm.

R+M Nr.	↔
107 000 900	4 meters
107 000 801	6 meters



* the profile is suitable for existing systems (not for items on catalog pages 395-396)



Hole size 60 mm

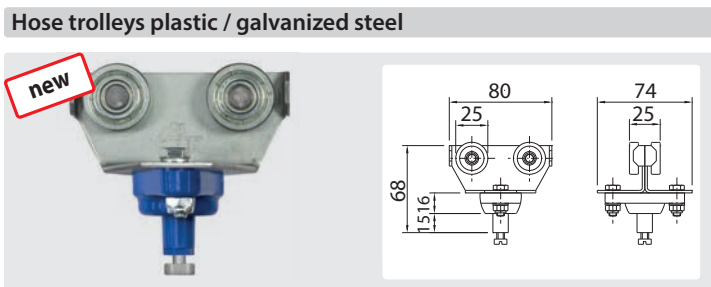
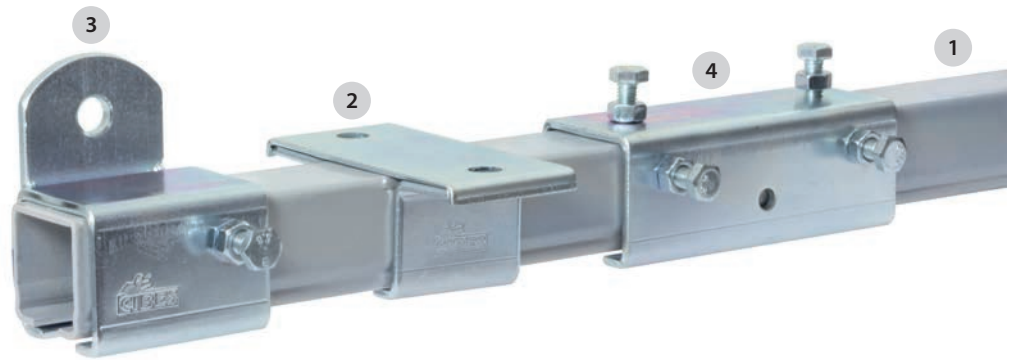
R+M Nr.	↔
107 000 825	86 mm



R+M Nr.	↔
107 000 830	50 mm

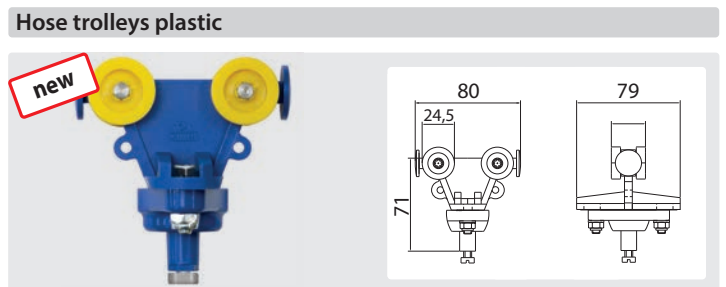


R+M Nr.	↔
107 000 810	100 mm



For C-Rail 32 x 30 mm. Load capacity 20 kg.
Rollers with ball bearings.

R+M Nr.
107 000 301



For C-Rail 32 x 30 mm. Load capacity 5 kg.
Castors with steel axles.

R+M Nr.
107 000 305