

Ultra high pressure regulation valves

VB60/600



☉ = inlet 1/2" F. ☺ = outlet 1/2" F.
 BP = bypass 1/2" F.
 Max. 600 bar / 90 °C

R+M Nr.	☉	☺
532 260 0		60 l/min

H560



Stainless steel. BP = bypass 1/2" F.
 MN = pressure gauge 1/4" F.
 Max. 500 bar / 80 °C / 60 l/min

R+M Nr.	☉	☺
100 005 60	1/2" F	1/2" F

BKX



BP = bypass 3/4" F.
 Max. 600 bar / 80 °C / 60 l/min

R+M Nr.	☉	☺
010 000 02	1/2" F	1/2" F

VB60/600



☉ = inlet 1/2" F. ☺ = outlet 1/2" F.
 BP = bypass 1/2" F. Regulation valve with switch (IP55) and cable 950 mm.
 Max. 600 bar / 90 °C

R+M Nr.	☉
532 265 0	60 l/min

Ultra high pressure relief valves

VS 500



☉ 222 mm. Max. 500 bar

R+M Nr.	BP	☉
532 520 0	3/8" F	1/2" F

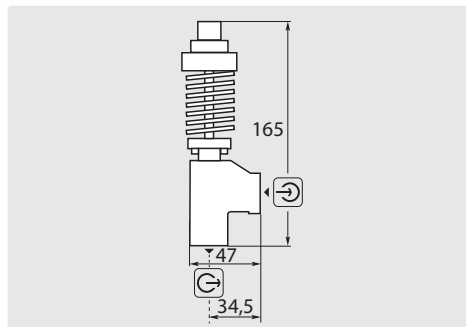
S3



☉ 110 mm. Max. 700 bar

R+M Nr.	☉
010 002 15	1/2" M

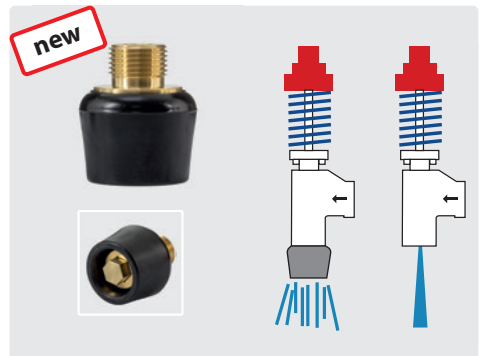
ST-230-700 Pressure regulating valve



☉ 165 mm. Max. 40 l/min / 60 °C.
 Short-term max. 85° C

R+M Nr.	☉	☉	P
200 230 700	3/8" F	1/4" F	200-700

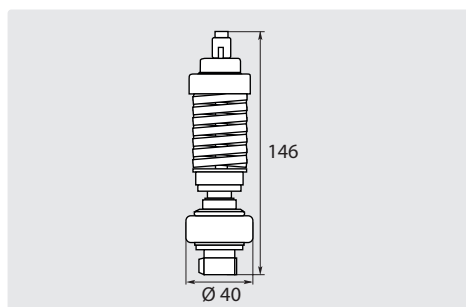
Jetbreaker



☉ 27 mm

R+M Nr.	☉
200 230 410	3/8" M

ST-220



☉ 146 mm. Max. 700 bar / 50 l/min / 85 °C

R+M Nr.	☉
200 220 500	1/2" M

