

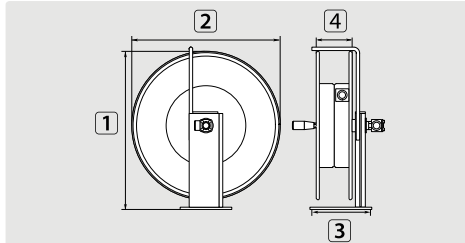
High pressure hose reels

STK

Series STK made out of deep-drawing metal sheet:

- » Fold-away handwheel
- » Adjustable braking and blocking device.
- » Steel shackle avoids rolling over of the hose.
- » Maintenance-free synthetic bearing sleeves.

- » The hose reels are all equipped with a swivel ST-322. The swivel ST-322 are completely made out of stainless steel and have a slide ring as sealing element.
- » Suitable for the mediums water or water with cleaning detergent, air, oils and greases.



TYP	outer \varnothing = hose
01	15.0 mm = 24 m
02	15.0 mm = 36 m

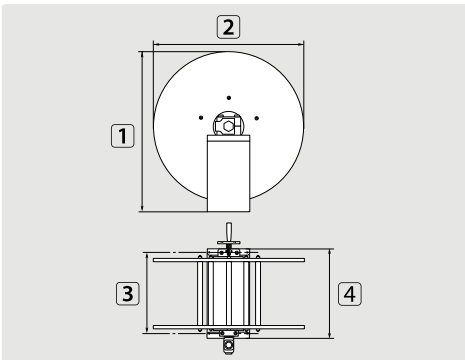
Powder-coated steel

R+M Nr.	C	⊖	DN	P	°C	⊘	1	2	3	4	TYP
760 20	3/8" F	3/8" F	10	400 bar	90 °C	6.2 kg	437 mm	400 mm	210 mm	100 mm	01
760 30	3/8" F	3/8" F	10	400 bar	90 °C	6.8 kg	500 mm	460 mm	210 mm	100 mm	02

ST-71

- » The base frame is made out of stainless steel V2A / AISI 304 and stands for highest stability.
- » Equipped with an especially wide orifice of 12 mm.
- » Suitable media: water or water with cleaning chemicals, air, oils and grease.
- » The drum hub consists of 5 sturdy stainless steel rods and runs in specially maintenance-free bearing sleeves.
- » The drum rotates by means of an adjustable handwheel being

- equipped with a free-wheel polyamide grip.
- » A mechanical brake makes it possible to lock in 6 positions.
- » This high pressure hose reel is equipped with the swivel ST-322.
- » The Suttner swivels ST-322 are completely made out of stainless steel and have a slide-ring sealing element.
- » Not suitable for being mounted at walls and ceiling.



TYP	outer \varnothing = hose
01	22.0 mm = 40 m

Stainless steel V2A / AISI 304

R+M Nr.	C	⊖	DN	P	°C	⊘	1	2	3	4	TYP
200 071 705	1/2" F	1/2" F	12	300 bar	90 °C	13 kg	460 mm	440 mm	240 mm	290 mm	01

Accessories for ST-71

Swivels ST-322



1/2" F : 1/2" M. DN 12. Repair kit swivel ST-322
Max. 300 bar / 30 r.p.m.
/ 90 °C

R+M Nr. i	R+M Nr.
200 322 520 67 mm	200 322 490