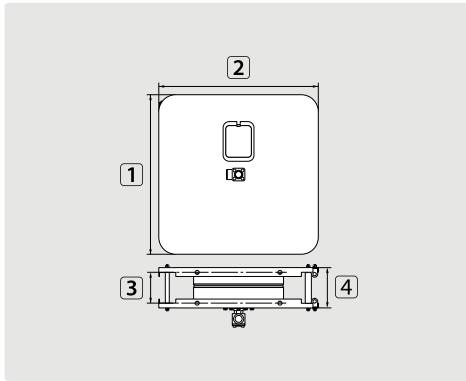


## Automatic hose reels

SoST 14 / SoST 20

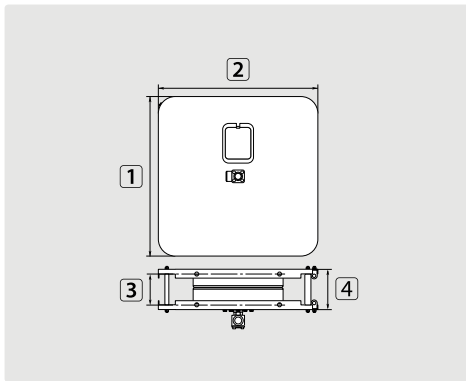


TYP	outer $\varnothing$ = hose $\leftrightarrow$
01	15.0 mm = 14 m
02	15.0 mm = 20 m

Powder-coated steel. Application in dry areas

R+M Nr.	★	⊕	⊖	DN	P	°C	⊞	1	2	3	4	TYP
740 002	●	3/8" F	1/2" F	10	400 bar	90 °C	14.0 kg	470 mm	470 mm	107 mm	135 mm	01
740 005	●	3/8" F	1/2" F	10	400 bar	90 °C	16.0 kg	470 mm	470 mm	167 mm	195 mm	02

SoST 14 / SoST 20



TYP	outer $\varnothing$ = hose $\leftrightarrow$
01	15.0 mm = 14 m
02	15.0 mm = 20 m

Stainless steel V2A / AISI 304. Application in wet areas

R+M Nr.	★	⊕	⊖	DN	P	°C	⊞	1	2	3	4	TYP
740 008	●	3/8" F	1/2" F	10	400 bar	90 °C	14.0 kg	470 mm	470 mm	107 mm	135 mm	01
740 009	●	3/8" F	1/2" F	10	400 bar	90 °C	16.0 kg	470 mm	470 mm	167 mm	195 mm	02

Symbols  $\varnothing$  weight TYP type °C temperature DN nominal diameter P pressure  $\leftrightarrow$  length ★ marking ⊕ inlet ⊖ outlet