

## Accessories for hose reels

### Trolleys STKI



Trolley suitable for types STKI 01 / 02 / 05 / 06. Grey solid rubber tyres. Suitable for the food industry. H 1,036, W 650, L 881 mm

R+M Nr.	(M)	(8)
739 000	stainless steel V2A / AISI 304	10.5

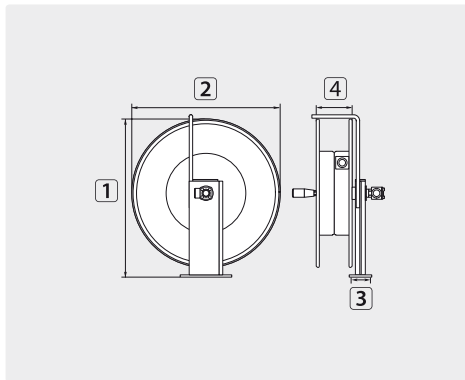
## High pressure hose reels

### STK

Series STK made out of deep-drawing metal sheet:

- » Fold-away handwheel
- » Adjustable braking and blocking device.
- » Steel shackle avoids rolling over of the hose.
- » Maintenance-free synthetic bearing sleeves.

- » The hose reels are all equipped with a swivel ST-322. The swivel ST-322 are completely made out of stainless steel and have a slide ring as sealing element.
- » Suitable for the mediums water or water with cleaning detergent, air, oils and greases.



TYP	outer Ø = hose ⇄
01	15.0 mm = 24 m
02	15.0 mm = 36 m

Powder-coated steel

R+M Nr.	(C)	(S)	DN	P	°C	(8)	1	2	3	4	TYP
760 20	3/8" F	3/8" F	10	300 bar	90 °C	6.2 kg	437 mm	400 mm	80 mm	120 mm	01
760 30	3/8" F	3/8" F	10	300 bar	90 °C	6.8 kg	500 mm	460 mm	80 mm	120 mm	02

Symbols (C) inlet (S) outlet DN nominal diameter P pressure I height ⇄ length (8) weight (M) material (C) thread TYP type 🚚 shipment by truck