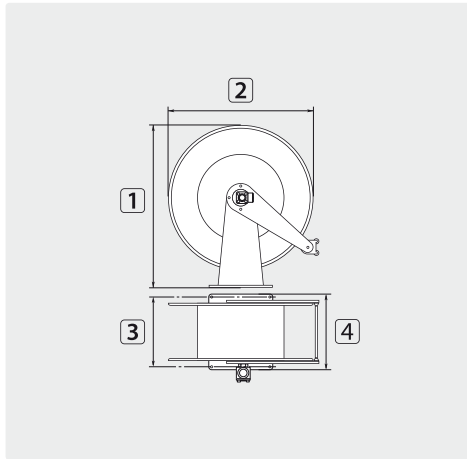


Automatic hose reels

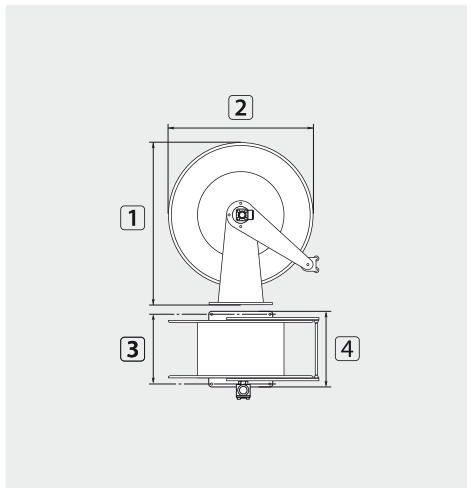
R+M 544



TYP	outer \varnothing = hose \leftrightarrow
03	22.0 mm = 30 m
03	28.0 mm = 22 m
03	34.0 mm = 17 m

R+M Nr.	★	Ⓒ	⊖	DN	P	°C	⊘	1	2	3	4	TYP
763 544 30	■	1/2" F	1/2" F	12	300 bar	90 °C	24.0 kg	573 mm	510 mm	218 mm	300 mm	03
763 544 20	■	1" F	1" F	19	100 bar	90 °C	24.0 kg	573 mm	510 mm	218 mm	300 mm	03

R+M 564



TYP	outer \varnothing = hose \leftrightarrow
04	22.0 mm = 60 m
04	30.0 mm = 40 m
04	35.0 mm = 30 m

R+M Nr.	★	Ⓒ	⊖	DN	P	°C	⊘	1	2	3	4	TYP
763 564 30	▼	1/2" F	1/2" F	10	300 bar	90 °C	30.0 kg	578 mm	510 mm	399 mm	488 mm	04

Accessories for hose reels

Wall swivel brackets



Stainless steel V2A / AISI 304. 80° swivel

R+M Nr.	★
763 430 06	●
763 530 06	▲
763 540 06	■

Wall brackets



Stainless steel. Optionally as fit-up aid

R+M Nr.	★
763 430 02	●
763 530 02	▲
763 540 02	■
763 560 02	▼

Swivels ST-322



⊖ M28 M. DN 12. Max. 300 bar / 90 °C



Repair kit swivel ST-322

R+M Nr.
200 322 490

R+M Nr.	1	Ⓒ
200 322 523	79.5 mm	1/2" F
200 322 525	79.5 mm	3/8" F