

Accessories injectors

Reinforced PVC hoses clear



For compressed air or chemicals.
Max. 60 °C

Per metre

R+M Nr.	DN	↔	↗
306 55	9		3

Complete rolls

R+M Nr.	DN	↔	↗
306 550 50	9	50 m	3

Reinforced PVC hoses blue



For foaming agent. Blue.
Max. 60 °C

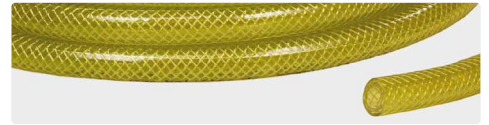
Per metre

R+M Nr.	DN	↔	↗
080 000 310	9		3

Complete rolls

R+M Nr.	DN	↔	↗
306 560 50	9	50 m	3

Reinforced PVC hoses yellow



For disinfectant. Yellow.
Max. 60 °C

Per metre

R+M Nr.	DN	↔	↗
080 000 320	9		3

Complete rolls

R+M Nr.	DN	↔	↗
306 570 50	9	50 m	3

Trolley



- » Multifunctional trolley for foam and disinfection units
- » Stainless steel. Trolley with two grey and non-fading wheels.
- » Manoeuvrable and easy to handle such as a sack truck
- » Open space for placing the canister, thus ensuring an unhindered discharge of spilled liquids
- » Ergonomic plastic handle strip which is easily unscrewable for the food industry
- » Two laterally attached lance holder
- » Sufficient space for 2 container with chemicals comprising up to 25 kg each.
- » H x W x D 1,150 x 540 x 620 mm

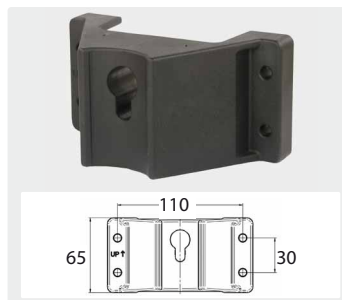
R+M Nr.	↗
710 000 163 389	14,0



- » Trolley for foam units
- » Stainless steel. Trolley with two grey and non-fading wheels as well as one grey guide roll.
- » Two laterally attached lance holder
- » Space for two container with chemicals comprising up to 30 kg each.
- » H x W x D 1,080 x 680 x 760 mm

R+M Nr.	↗
200 163 389	20.5

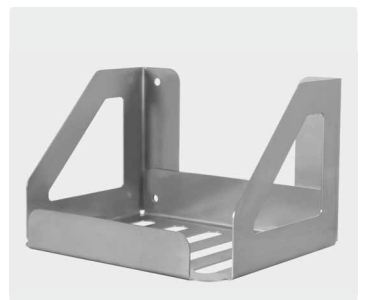
Wall bracket for injectors



for ST-164, ST-167, ST-168, ST-160.2, ST-160.3, ST-162 panelversion

R+M Nr.
200 168 420

Wall brackets for canisters



Stainless steel. Mounting holes 8.5 mm

R+M Nr.	H x W x D	↗
105 000 001	160 x 250 x 210	1.2
105 000 002	200 x 285 x 310	2.0