

Suttner flow switches

ST-505



3/8" F. Magnet with hole.  
Vertical mount. Cable 1200 mm. Contact 1 A - 250 V.  
3.8 l closed. 2.6 l open.  
Max. 500 bar / 30 l/min / 80 °C

R+M Nr.
200 505 500



3/8" F. Magnet without hole.  
Vertical mount. Cable 1200 mm. Contact 1 A - 250 V.  
2.6 l closed. 1.6 l open.  
Max. 500 bar / 30 l/min / 80 °C

R+M Nr.
200 505 600

Spare parts flow switches



Magnet ST-505 without hole

R+M Nr.
200 005 310



Magnet ST-505 with hole

R+M Nr.
200 005 300



REED switch ST-505. Cable 1200 mm

R+M Nr.
200 005 431

Ultra high pressure regulation valves

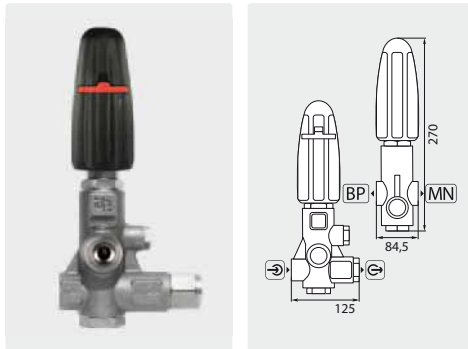
VB60/600



⊕ = inlet 1/2" F. ⊖ = outlet 1/2" F.  
BP = bypass 1/2" F. Max. 600 bar / 90 °C

R+M Nr.	⊖
532 260 0	60 l/min

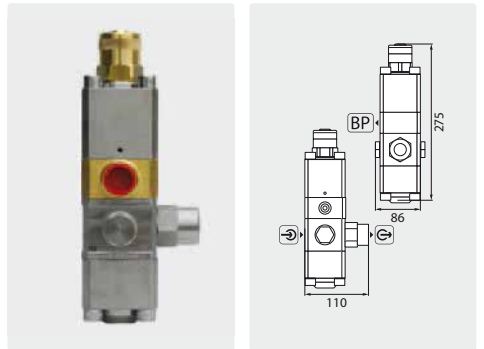
H560



Stainless steel. BP = bypass 1/2" F. MN = pressure gauge 1/4" F. Max. 500 bar / 80 °C / 60 l/min

R+M Nr.	⊕	⊖
100 005 60	1/2" F	1/2" F

BKX



BP = bypass 3/4" F. Max. 600 bar / 80 °C / 60 l/min

R+M Nr.	⊕	⊖
010 000 02	1/2" F	1/2" F

VB60/600



⊕ = inlet 1/2" F. ⊖ = outlet 1/2" F. BP = bypass 1/2" F. Regulation valve with switch (IP55) and cable 950 mm.  
Max. 600 bar / 90 °C

R+M Nr.	⊖
532 265 0	60 l/min

Ultra high pressure relief valves

VS 500



⊓ 222 mm. Max. 500 bar

R+M Nr.	BP	⊕
532 520 0	3/8" F	1/2" F

S3



⊓ 110 mm. Max. 700 bar

R+M Nr.	⊕
010 002 15	1/2" M