

Ultra high pressure swivels

ST-351 swivels



1/2" M : 1/2" F.
Max. 600 bar

R+M Nr.
200 351 510



Repair kit swivel ST-351

R+M Nr.
200 351 400

ST-350 swivels



3/8" M : 3/8" F.
Max. 600 bar

R+M Nr.
200 350 010



Repair kit ST-350

R+M Nr.
200 300 100

R+M swivels



1/4" F : 3/8" M. Housing and axle stainless steel.
Max. 600 bar / 90 °C

R+M Nr.
750 280 0



Seal kit swivel 750 280 0

R+M Nr.
750 200 2

ST-550 foot valves



Housing stainless steel.
Valve stainless steel.
Rubber feet.
Max. 500 bar / 80 l/min / 150 °C

R+M Nr.	⊖	⊕
200 550 600	1/4" F	1/4" F



Housing stainless steel.
Valve stainless steel.
Rubber feet.
Max. 500 bar / 80 l/min / 150 °C

R+M Nr.	⊖	⊕
200 550 620	M22 F	M22 M

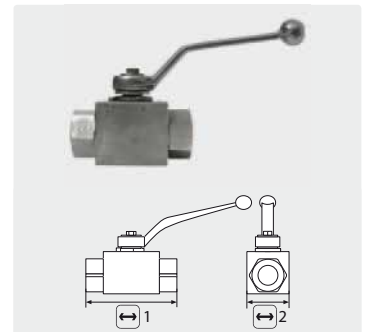
ST-540 foot valve



Incl. HP-gun ST-2750.
Material housing powdercoated steel.
Rubber feet.
Max. 500 bar / 30 l/min / 150 °C

R+M Nr.	⊖	⊕
200 540 550	1/4" M	3/8" F

Ultra high pressure ball valves

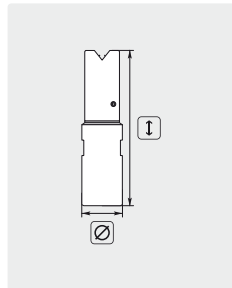


Stainless steel V4A / AISI 316 Ti. Ball stainless steel. Max. 500 bar / 80 °C

R+M Nr.	↔ 1	↔ 2	⊕
707 15	69 mm	26 mm	1/4" F
707 25	72 mm	32 mm	3/8" F
707 35	83 mm	35 mm	1/2" F

Sewer cleaning nozzles

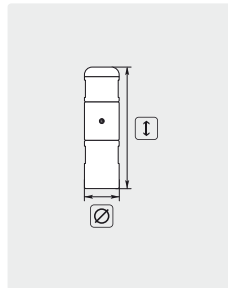
Rotating nozzles RT . 1000 bar



1/8" F. Side jet 2. Front jet 2. Stainless steel. Rotating body hp-bronze. Compact model, universally applicable. Extreme cleaning performance, removes hard deposits. \uparrow 80 mm. \varnothing 12 mm. Weight 0.18 kg. Max. 1000 bar

R+M Nr.	⊖
652 710 006	6 l / 100 bar
652 710 012	12 l / 100 bar
652 710 014	14 l / 100 bar

Rotating nozzles RH . 1000 bar



1/8" F. Side jet 2. Stainless steel. Rotating body hp-bronze. Compact model, universally applicable. Extreme cleaning performance, removes hard deposits. \uparrow 63 mm. \varnothing 12 mm. Weight 0.18 kg. Max. 1000 bar

R+M Nr.	⊖
652 810 006	6 l / 100 bar
652 810 010	10 l / 100 bar
652 810 014	14 l / 100 bar

Nozzles for sewer cleaning

Suttner nozzles for sewer cleaning ST-49.3



1/8" F. Nozzle with traction. Stainless steel. Hardened stainless steel body. Compact model, universally applicable. Extreme cleaning performance. \varnothing 12 mm. Max. 500 bar

R+M Nr.	D
200 049 950	05
200 049 970	07

Symbols \leftrightarrow length \uparrow height \oplus inlet \ominus outlet DN nominal diameter P pressure \boxtimes weight \odot thread \varnothing diameter D thread TYP type \leftarrow flow