

Ultra high pressure hoses

Hoses with double wire braid and winded surface. Type 2SC. Nominal diameter 10. Safety factor 3.5. Fittings stainless steel. Max. 150 °C

Female thread (DKOS)		Male thread (AGR)		Quick screw couplings	
M22 : M22	M22 : M22	3/8" : 3/8"	3/8" : 3/8"	M22 : M22	M22 : M22
		<td> <td></td> <td></td> </td>	<td></td> <td></td>		
Type 2SC. Max. 500 bar	Type 2SC. Max. 500 bar	Type 2SC. Max. 500 bar	Type 2SC. Max. 500 bar	Type 2SC. Max. 500 bar	Type 2SC. Max. 500 bar
<b>R+M Nr.</b>	<b>R+M Nr.</b>	<b>R+M Nr.</b>	<b>R+M Nr.</b>	<b>R+M Nr.</b>	<b>R+M Nr.</b>
358 177 310 9 10 m	364 177 310 9 10 m	358 144 310 9 10 m	364 144 310 9 10 m	358 100 310 9 10 m	364 100 310 9 10 m
358 177 315 9 15 m	364 177 315 9 15 m	358 144 315 9 15 m	364 144 315 9 15 m	358 100 315 9 15 m	364 100 315 9 15 m
358 177 320 9 20 m	364 177 320 9 20 m	358 144 320 9 20 m	364 144 320 9 20 m	358 100 320 9 20 m	364 100 320 9 20 m
358 177 330 9 30 m	364 177 330 9 30 m	358 144 330 9 30 m	364 144 330 9 30 m	358 100 330 9 30 m	364 100 330 9 30 m

Hoses with double wire braid and winded surface. Nominal diameter 10. Fittings stainless steel. Max. 150 °C

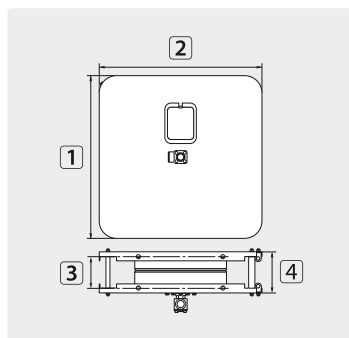
Quick screw couplings		
M24 : M24	M24 : M24	M24 : M24
2SC. Max. 500 bar	2SC. Max. 500 bar	2SN. Max. 600 bar
<b>R+M Nr.</b>	<b>R+M Nr.</b>	<b>R+M Nr.</b>
358 197 310 9 10 m	364 197 310 9 10 m	368 697 610 9 10 m
358 197 315 9 15 m	364 197 315 9 15 m	368 697 615 9 15 m
358 197 320 9 20 m	364 197 320 9 20 m	368 697 620 9 20 m
358 197 330 9 30 m	364 197 330 9 30 m	368 697 630 9 30 m

Hoses with double wire braid and smooth cover. Nominal diameter 6. Fittings stainless steel. Max. 150 °C

Quick screw couplings / male thread (AGR)		
M22 : M22	M22 : 1/8"	1/4" : 1/4"
flexy 500. Max. 500 bar	flexy 500. Max. 500 bar	flexy 500. Max. 500 bar
<b>R+M Nr.</b>	<b>R+M Nr.</b>	<b>R+M Nr.</b>
338 000 310 9 10 m	424 300 010 9 10 m	424 344 010 9 10 m
338 000 315 9 15 m	424 300 015 9 15 m	424 344 015 9 15 m
338 000 320 9 20 m	424 300 020 9 20 m	424 344 020 9 20 m
338 000 330 9 30 m	424 300 030 9 30 m	424 344 030 9 30 m

Ultra high pressure hose reels

SoST



TYP	outer $\varnothing$ = hose
01	15.0 mm = 20 m

Wall swivel brackets SoST



Stainless steel V2A / AISI 304

<b>R+M Nr.</b>
741 01

Stainless steel V2A / AISI 304

<b>R+M Nr.</b>			DN	P	°C	$\varnothing$	1	2	3	4	TYP
740 011	1/4" F	1/2" F	05	500 bar	90 °C	16.0 kg	470 mm	470 mm	167 mm	195 mm	02