

Wall cleaner

WW 301

- » Rotating wall cleaner suitable for telescopic lances
- » Splash guard stainless steel with rubberlip or brush strips
- » Splash guard \varnothing 300 mm
- » Without nozzles. 2 nozzles 1/4" M with 15° spray angle are required
- » Max. 250 bar / 90 °C



with brush strips

with rubberlip

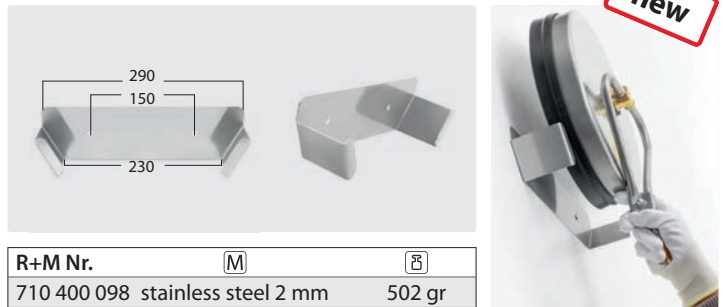
R+M Nr.	Ⓒ	TYP	⊞
521 032 251	M22 M	rubberlip	1.9 kg
521 032 254	M22 M	brush strips	1.9 kg
521 032 256	M18 F	K rubberlip	1.9 kg
521 032 255	M18 F	K brush strips	1.9 kg
521 032 258	1/4" F	rubberlip	1.9 kg
521 032 257	1/4" F	brush strips	1.9 kg



turbodevil

Wall bracket for wall cleaner turbodevil WW 301

new



R+M Nr.	Ⓓ	⊞
710 400 098	stainless steel 2 mm	502 gr

WW 160



with brush strips

- » Rotating wall cleaner
- » Splash guard stainless steel with brush strips
- » Splash guard \varnothing 160 mm
- » Without nozzles. 2 nozzles 1/4" M with 15° spray angle are required
- » Max. 350 bar / 90 °C

R+M Nr.	Ⓒ	⊞
710 100 160	M22 M	1.3 kg



turbodevil

High pressure nozzles

1/4" M BSP

Impact = 100 %



15°

D	R+M Nr.
02	613 052
025	613 072
03	613 102
04	613 302
045	613 402
05	613 502