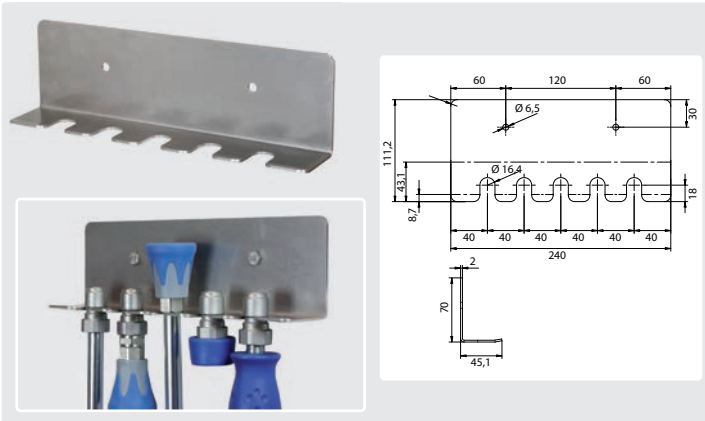
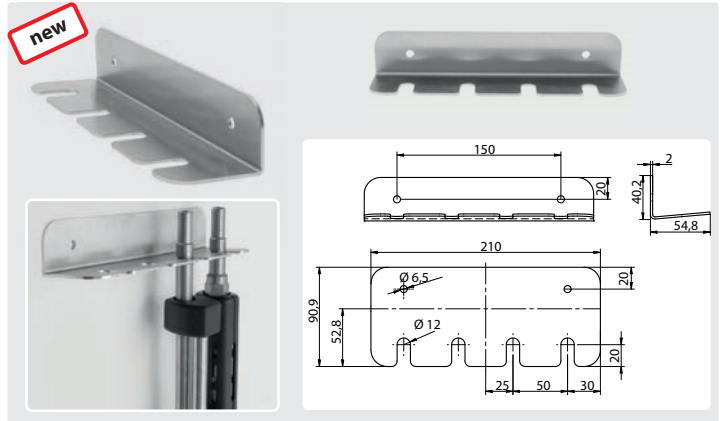


Lance holder



Stainless steel. Wall mount for 5 lances

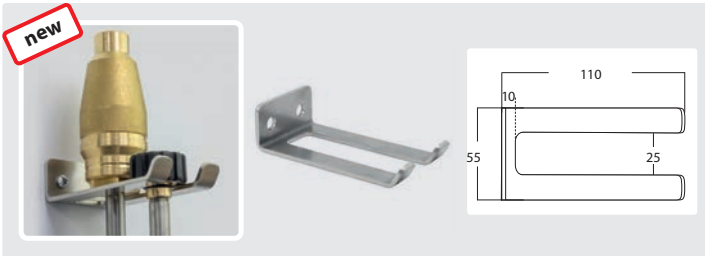
R+M Nr.  
040 003 830



Stainless steel. Wall mount for 4 lances with coupling KW

R+M Nr.  
040 008 535

Universal bracket



Stainless steel bracket for wall mounting

R+M Nr.  
710 400 097

Lance holder



Wall mount for 3 lances 1/4"

R+M Nr.  
020 000 970